

BAJAJ  
**PLATINA**  
125 Disc

Bajaj Auto Limited  
Akurdi Pune 411 035 India  
[www.bajajauto.com](http://www.bajajauto.com)



BAJAJ  
**PLATINA**  
125 Disc

# Spare Parts Catalogue



## Notice

---

All information contained in this manual is based on the latest product information at the time of publication. Bajaj Auto Limited accepts no liability for any inaccuracies or omissions in this publication, although every possible care has been taken to make it as complete and accurate as possible. All procedures and specifications subject to change without prior notice. The right is reserved to make such changes at any time without prior notice and without incurring an obligation to make such changes to product manufactured previously. Contact your authorized Bajaj Dealer for the latest information on product improvements incorporated after this manual was issued.

REV. MAY. 2019

Copy rights : All rights reserved. No part of this publicatin may be reproduced, stored in a retrival system, Or transmitted in any form or by any means, electronic mechanical photocopying, recording or otherwise, without the prior written permission of Bajaj Auto LTD.

---

# Foreword



We have pleasure in presenting the Spare Parts Catalogue for Platina 125 Disc Motorcycle. This catalogue has been specially designed to assist you in selecting the correct parts for procurement to maintain 100% availability.

The Bajaj spares are subjected to the stringent quality control standards to ensure longer life of the vehicle. It is therefore necessary that only the Genuine Bajaj Spares are used.

In a continual effort to improve Performance and Efficiency of the vehicles, Specifications, Diagrams, Illustrations and Part Numbers can change without notice. Consequently, the description in this Spare Parts Catalogue cannot therefore be final and binding on us.

The modifications / alterations which are carried out after the issue of this catalogue, will be conveyed to you through our Service Circulars. You are requested to make necessary corrections in the Parts Catalogue as per the circulars so as to keep your catalogue up-to-date. This will ensure the appropriate and speedy delivery of the Spare Parts as the order placed will bear the latest part numbers.

In case, if you need any technical assistance contact the concerned Regional Office or write to us on the following address :

Bajaj Auto Limited.  
Spares - International Business  
Akurdi, Pune 411 035 India

# Instructions



1. How to Read the Catalogue : Open the catalogue and from the pictorial index locate the group in which the part you want to find is present. Turn over to the concerned page number (as given by pictorial index). Now find out the figure of the part you wish to order. Write down the part number against that particular figure number from the text.

In case, if you have the part number and you need the other details, the part index can be used. The part index (at the end of the catalogue) will give you the figure and page number of the part you wish to order.

2. How to Order Spare Parts : The part number and the description of the part required should be invariably mentioned in the order as per the catalogue text.

The latest part number as conveyed through our service circulars should only appear on the order. In case of ordering painted components, colour shade of the components should be mentioned.

The quantity shown against the part number is the quantity per vehicle for that group so that particular quantity should be multiplied by the number of sets required.

3. Part Number System : We have used 8 digit system for part numbers. The model or hardware item is indicated by first two digits or alphanumeric, the next two or four digits indicate main group and the last four or two digits indicate serial number in main group or serial number or subgroup of fastener respectively. Thus the part numbers will be indicated by 2-2-4 or 2-4-2 digit system. Understanding this system will enable you to identify the spare parts easily.

4. Abbreviations : The following abbreviations are used in this catalogue.

Assly	Assembly	V	Volts
N.I.	Not illustrated	W	Watts
C'case	Crankcase	Accl.	Accelerator
Cyl	Cylinder	Comp.	Complete
O/s	Over size	Fr.	Front
Rr.	Rear	Std.	Standard
L	Length	A/t.	Alternate
R.H.	Right hand	L.H.	Left hand
Hex.	Hexagonal	AR	As required

## Index

Plate No.	Description	Page No.
1	Cover Cylinder Head	2
2	Sai System	4
3	Cylinder Head	6
4	Valve	8
5	Camshaft / Tensioner	10
6	Cylinder and Piston	12
7	Crankshaft	14
8	Transmission	16
9	Change Drum / Shift Fork	18
10	Gear Change Mechanism	20
11	Engine Assly / Crankcase RH	22
12	Crankcase LH	24
13	Oil Pump	26
14	Kick Starter Mechanism	28
15	Cover Clutch	30
16	Cover Magneto	32
17	Clutch Assly	34
18	Carburettor Assembly	36
19	Air Filter Assembly	38
20	Silencer Assembly	40
21	Starter / Magneto / Stator Assembly	42
22	C.D.I. / Regulator / H.T. Coil	44
23	Seat Assly / Seat Lock	46
24	Engine Mountings	48
25	Frame and Frame Fitting	50
26	Swing Arm/Rear Shock Absorber	52
27	Rider / Pillion Foot Rest	54
28	Fitting Fender Front & Rear	56
29	Stand Assembly	58
30	Tyre / Tube / Rim	60
31	Front Hub	62

## Index

Plate No.	Description	Page No.
32	Front Master Cylinder	64
33	Front Disc Brake	66
34	Rear Hub	68
35	Brake Pedal	70
36	Handle Bar Assembly	72-74
37	Front Fork	76
38	Cap Petrol Tank & Gauge Fuel	78
39	Fittings - Side Cover & Cover Seat	80
40	Speedo Meter Assembly	82
41	Control Cables	84
42	Chain Case	86
43	Head Lamp & Fairing	88
44	Indicator Light Assembly	90
45	Tail Lamp Assly / Front No. Plate	92
46	Electrical Equipments	94
47	Tool Kit	96
48	Accessories - Leg Guard / Sari Guard	98
49	Painted Parts	100
50	Decals	102
	Kit List	103-106
	Amendment Sheet	107-108
	Parts Index	109-120



# Pictorial Index

PLATE NO. : 1 COVER CYLINDER HEAD	PAGE NO. 1,2

PLATE NO. : 2 SAI SYSTEM	PAGE NO. 3,4

PLATE NO. : 3 CYLINDER HEAD	PAGE NO. 5,6

PLATE NO. : 4 VALVE	PAGE NO. 7,8

# Pictorial Index

PLATE NO. : 5 CAMSHAFT / TENSIONER	PAGE NO. 9,10

PLATE NO. : 6 CYLINDER & PISTON	PAGE NO. 11,12

PLATE NO. : 7 CRANKSHAFT	PAGE NO. 13,14

PLATE NO. : 8 TRANSMISSION	PAGE NO. 15,16

# Pictorial Index

PLATE NO. : 9  
CHANGE DRUM / SHIFT FORK

PAGE NO.  
17,18

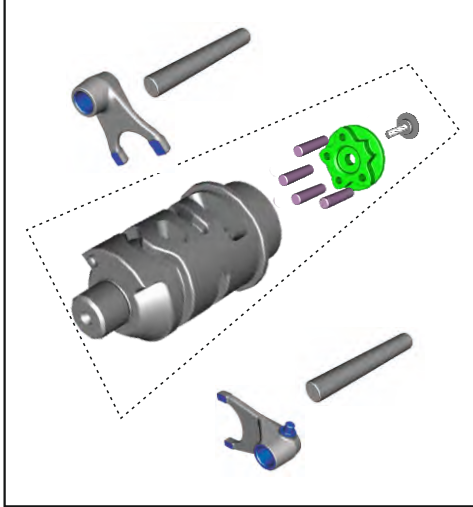


PLATE NO. : 10  
GEAR CHANGE MECHANISM

PAGE NO.  
19,20

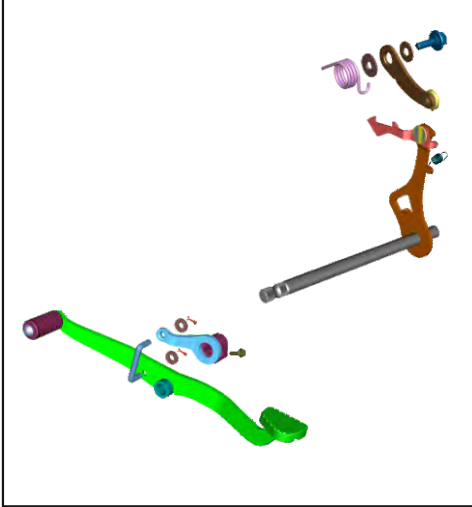


PLATE NO. : 11  
ENGINE ASSLY & CRANKCASE RH

PAGE NO.  
21,21

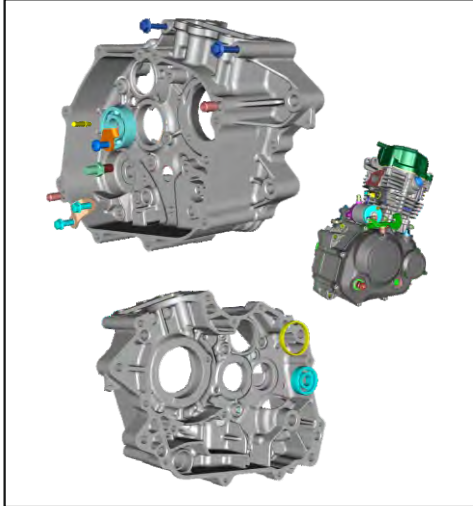
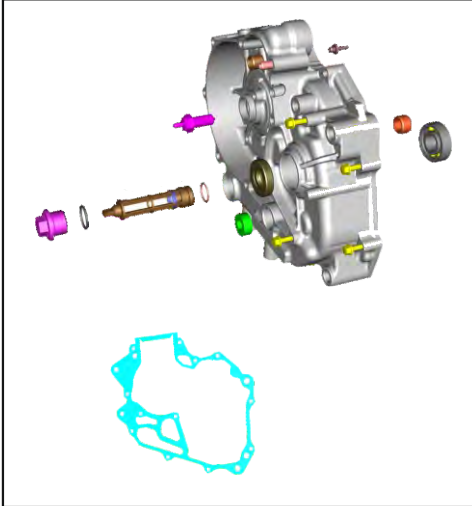


PLATE NO. : 12  
CRANKCASE LH

PAGE NO.  
23,24



# Pictorial Index

PLATE NO. : 13  
OIL PUMP

PAGE NO.  
25,26

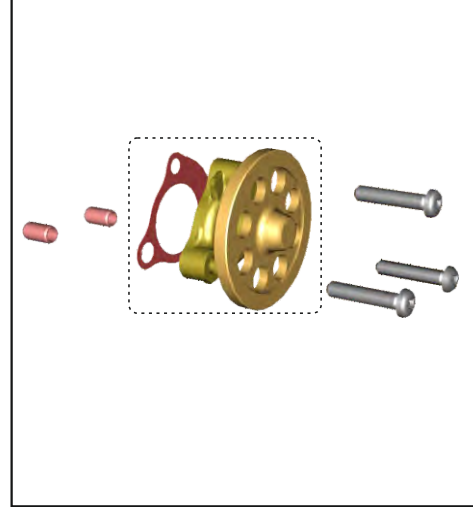


PLATE NO. : 14  
KICK STARTER MECHANISM

PAGE NO.  
27,28

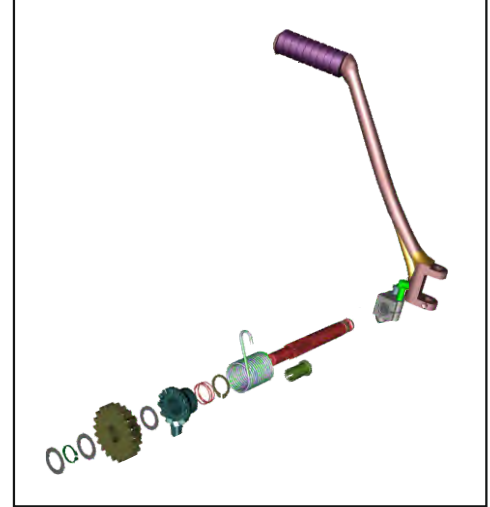


PLATE NO. : 15  
COVER CLUTCH

PAGE NO.  
29,30

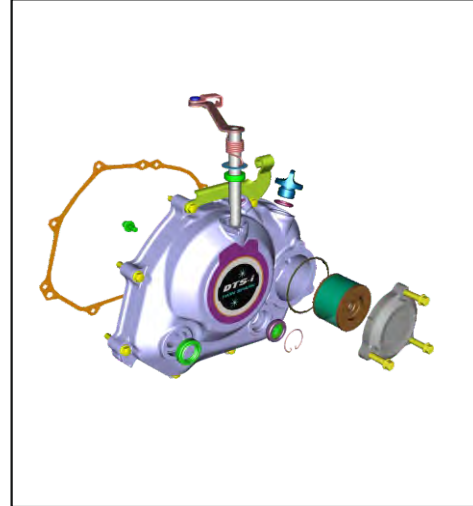
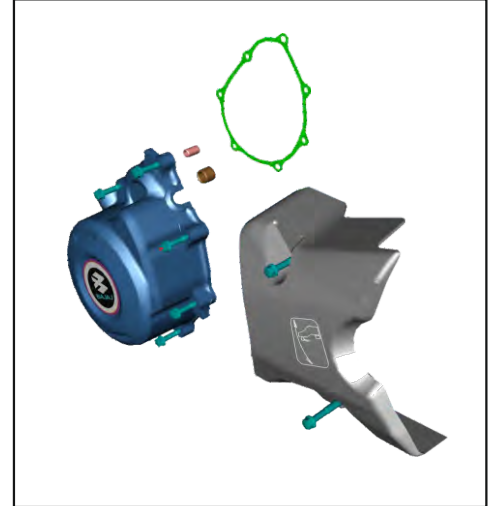


PLATE NO. : 16  
COVER MAGNETO

PAGE NO.  
31,32



# Pictorial Index

PLATE NO. : 17 CLUTCH ASSLY	PAGE NO. 33,34
--------------------------------	-------------------

PLATE NO. : 18 CARBURETTOR ASSEMBLY	PAGE NO. 35,36
--	-------------------

PLATE NO. : 19 AIR CLEANER COMPLETE	PAGE NO. 37,38
--	-------------------

PLATE NO. : 20 SILENCER ASSEMBLY	PAGE NO. 39,40
-------------------------------------	-------------------

# Pictorial Index

PLATE NO. : 21 STARTER / MAGNETO / STATOR ASSEMBLY	PAGE NO. 41,42
---	-------------------

PLATE NO. : 22 C.D.I. / REGULATOR / H.T. COIL	PAGE NO. 43,44
--	-------------------

PLATE NO. : 23 SEAT ASSLY / SEAT LOCK	PAGE NO. 45,46
--	-------------------

PLATE NO. : 24 ENGINE MOUNTINGS	PAGE NO. 47,48
------------------------------------	-------------------

# Pictorial Index

PLATE NO. : 25  
FRAME AND FRAME FITTING

PAGE NO.  
49,50

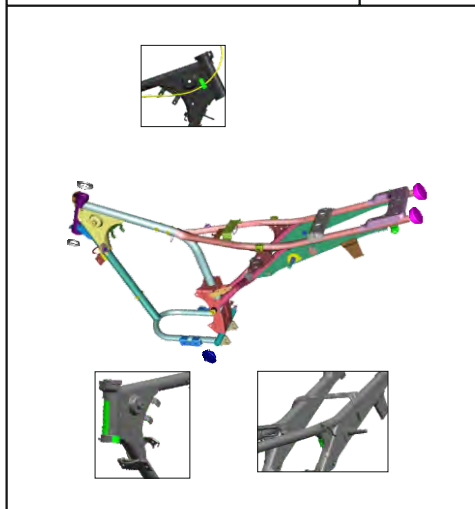


PLATE NO. : 26  
SWING ARM/REAR SHOCK ABSORBER

PAGE NO.  
51,52

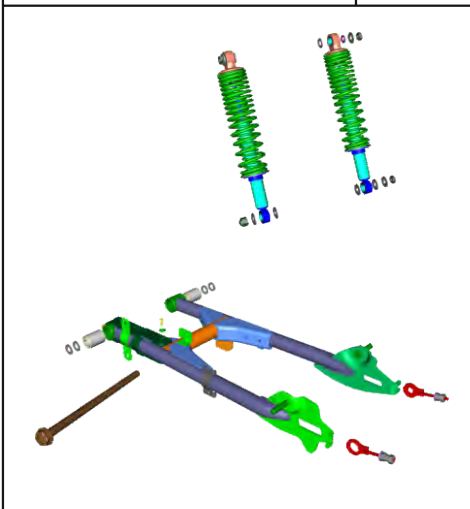


PLATE NO. : 27  
RIDER PILLION FOOT REST

PAGE NO.  
53,54

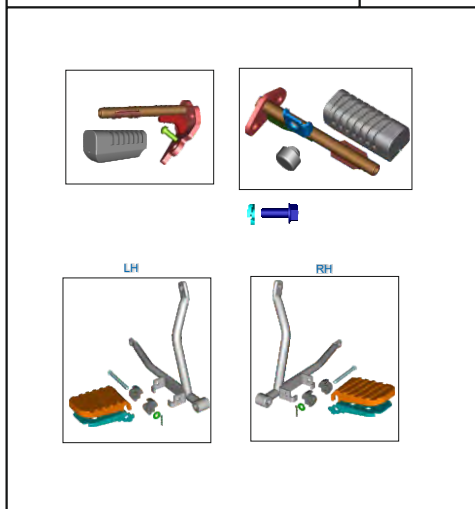
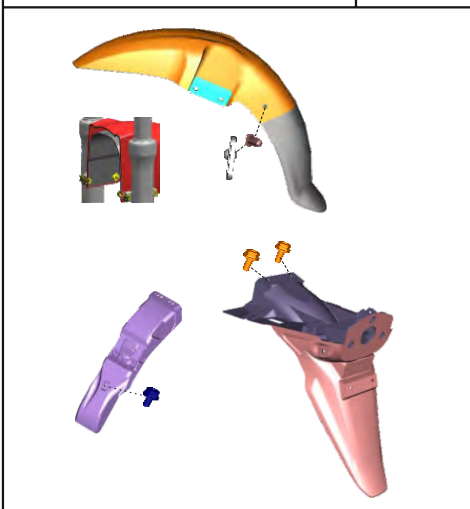


PLATE NO. : 28  
FITTING FENDER FRONT & REAR

PAGE NO.  
55,56



# Pictorial Index

PLATE NO. : 29  
STAND ASSEMBLY

PAGE NO.  
57,58

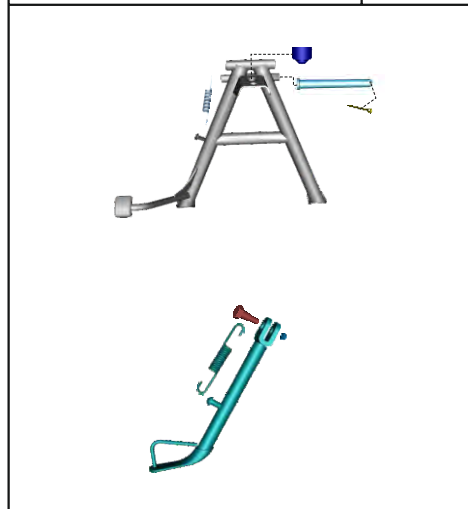


PLATE NO. : 30  
TYRE/ TUBE / RIM

PAGE NO.  
59,60

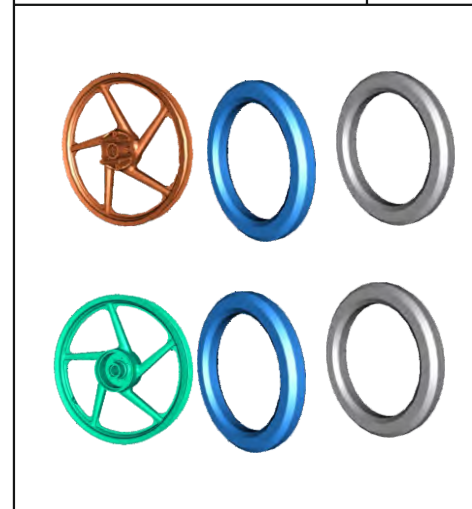


PLATE NO. : 31  
FRONT HUB

PAGE NO.  
61,62

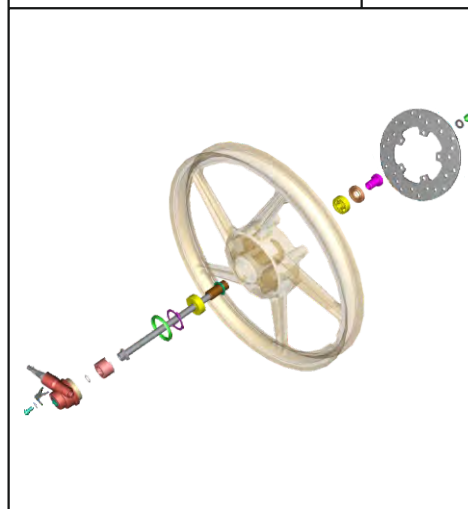
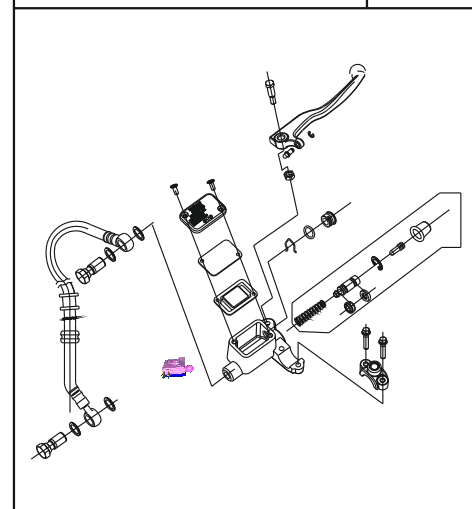


PLATE NO. : 32  
FRONT MASTER CYLINDER

PAGE NO.  
63,64



# Pictorial Index

PLATE NO. : 33  
FRONT DISC BRAKE

PAGE NO.  
65,66

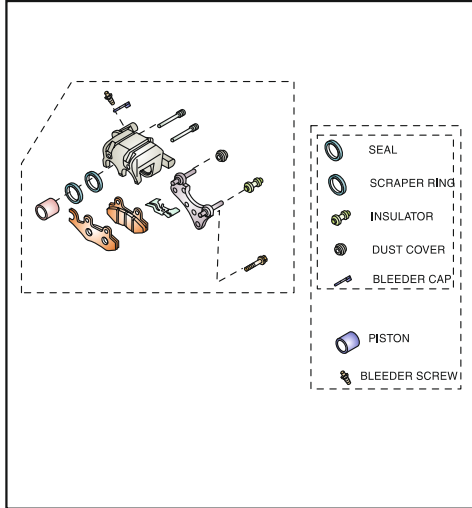


PLATE NO. : 34  
REAR HUB

PAGE NO.  
67,68

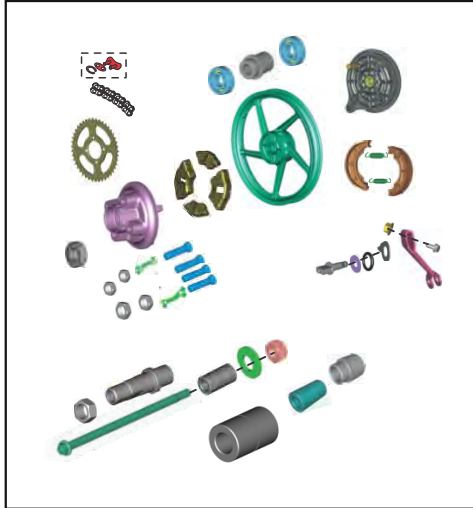


PLATE NO. : 35  
BRAKE PEDAL

PAGE NO.  
69,70

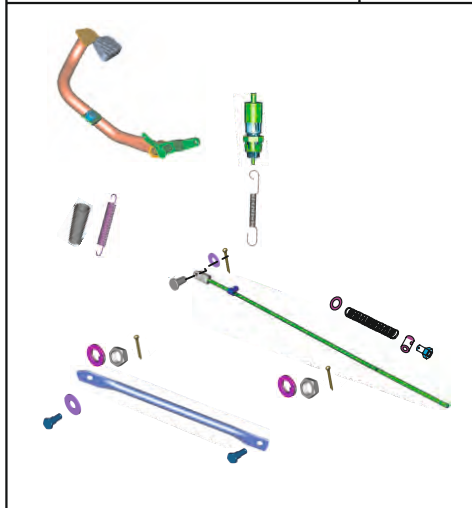
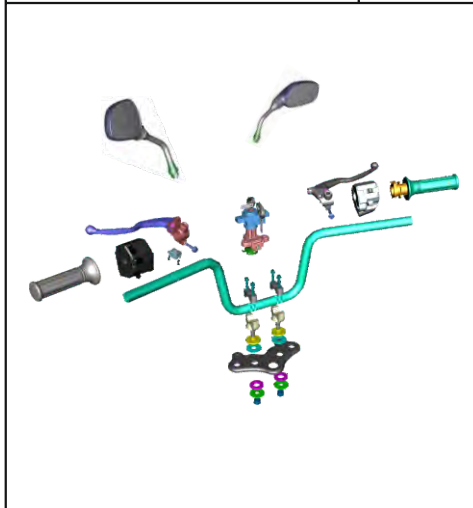


PLATE NO. : 36  
HANDLE BAR ASSEMBLY

PAGE NO.  
71,74



# Pictorial Index

PLATE NO. : 37  
FRONT FORK

PAGE NO.  
75,76

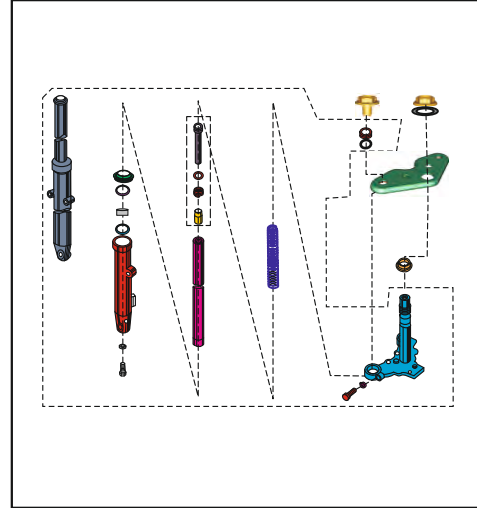


PLATE NO. : 38  
CAP PETROL TANK AND  
GAUGE FUEL

PAGE NO.  
77,78

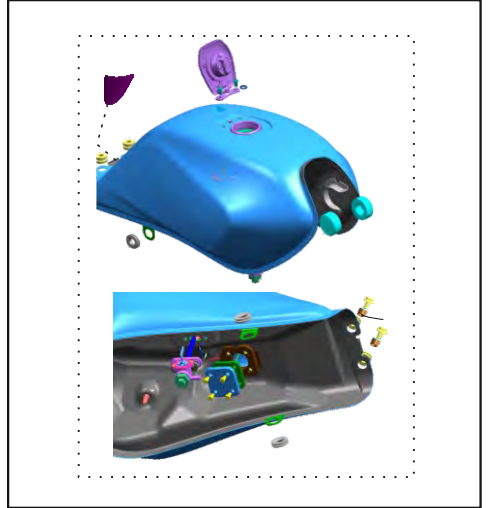


PLATE NO. : 39  
FITTINGS - SIDE COVERS &  
SEAT COVER

PAGE NO.  
79,80



PLATE NO. : 40  
SPEEDO METER ASSEMBLY

PAGE NO.  
81,82





# Pictorial Index

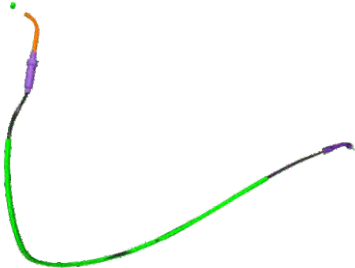
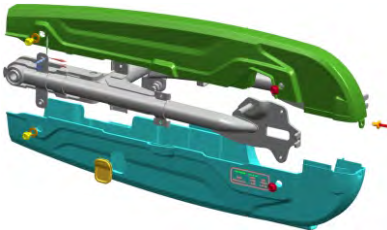

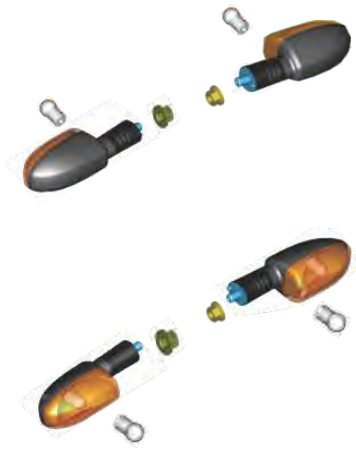
PLATE NO. : 41 CONTROL CABLES	PAGE NO. 83,84	PLATE NO. : 42 CHAIN CASE	PAGE NO. 85,86
			

PLATE NO. : 43 HEAD LAMP & FAIRING	PAGE NO. 87,88	PLATE NO. : 44 INDICATOR LIGHT ASSLY.	PAGE NO. 89,90
			

# Pictorial Index

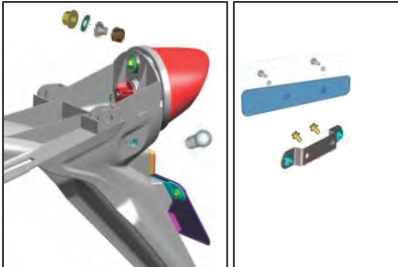
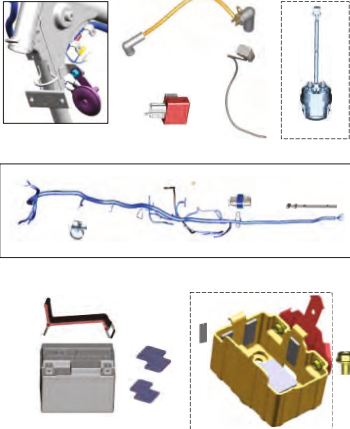

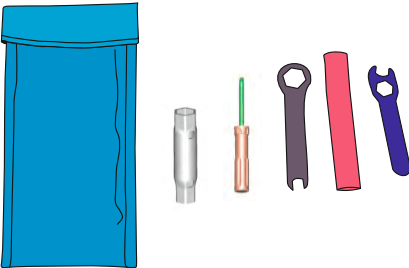
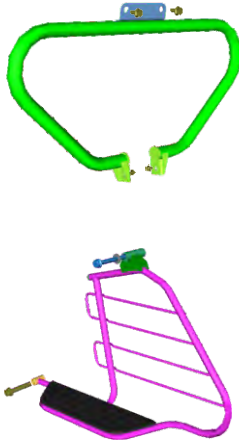
PLATE NO. : 45 TAIL LAMP ASSEMBLY / FRONT NUMBER PLATE	PAGE NO. 91,92	PLATE NO. : 46 ELECTRICAL EQUIPMENTS	PAGE NO. 93,94
			
			

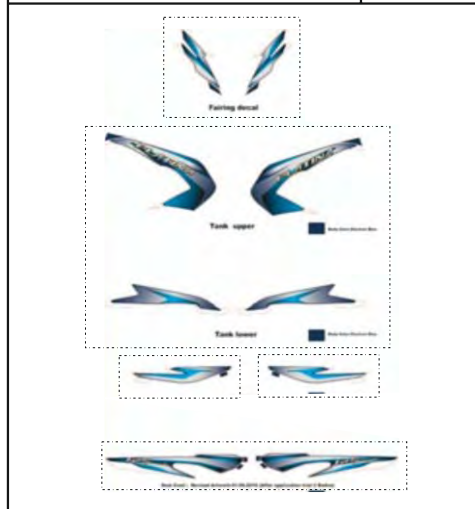
PLATE NO. : 47 TOOL KIT	PAGE NO. 95,96	PLATE NO. : 48 PAINTED PARTS AND DECALS	PAGE NO. 97,98
			

# Pictorial Index

PLATE NO. : 49 PAINTED PARTS	PAGE NO. 99,100
---------------------------------	--------------------



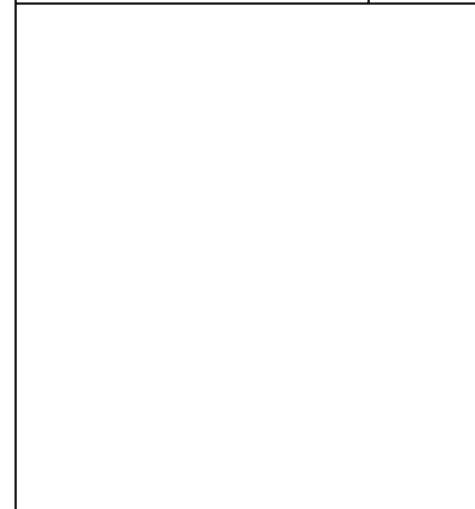
PLATE NO. : 49 DECALS	PAGE NO. 101,102
--------------------------	---------------------





# Pictorial Index

--	--



--	--



--	--

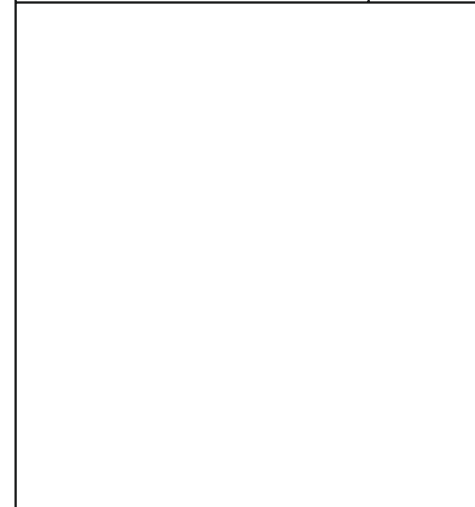
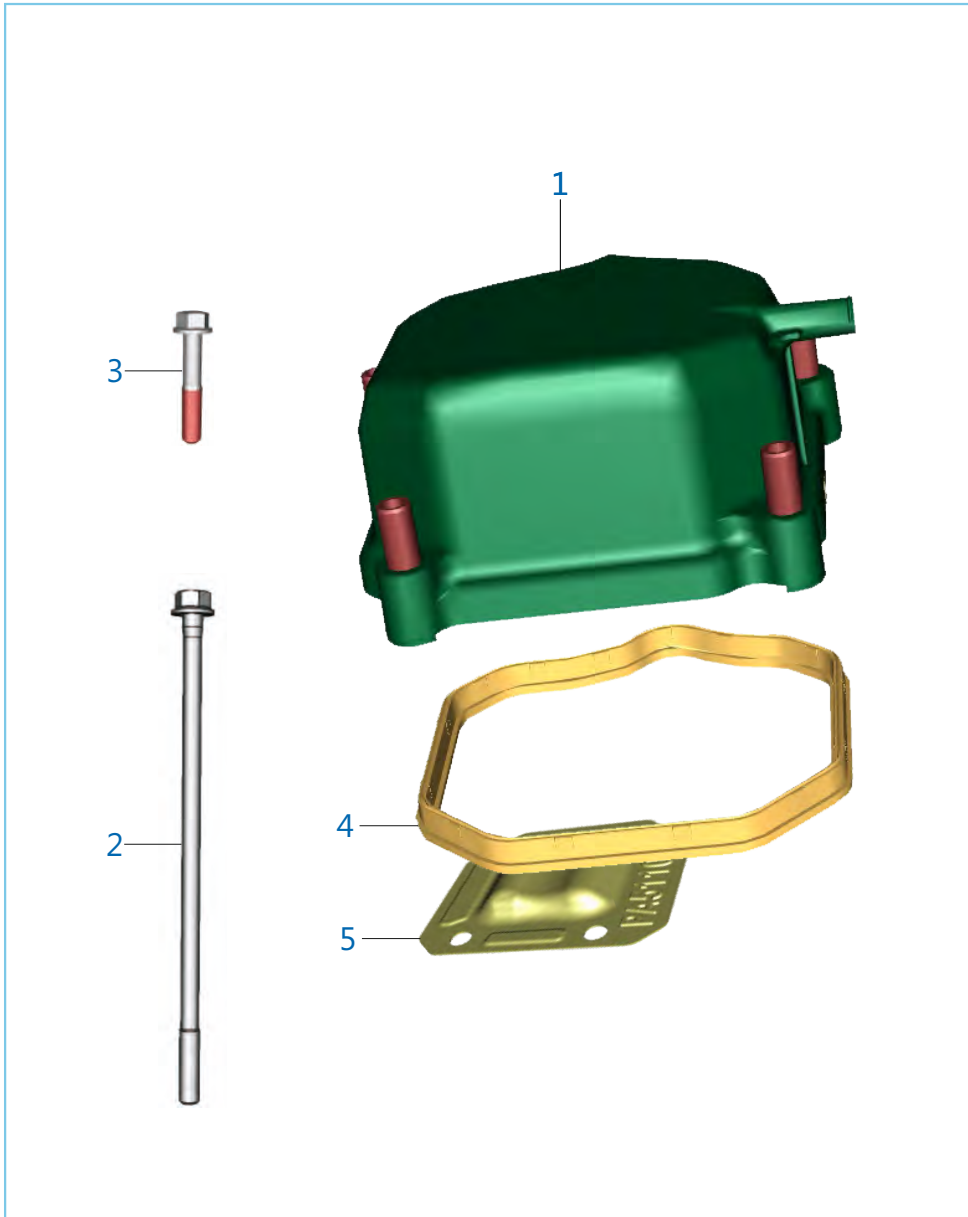


PLATE NO. : TOOL KITA	PAGE NO.
--------------------------	----------

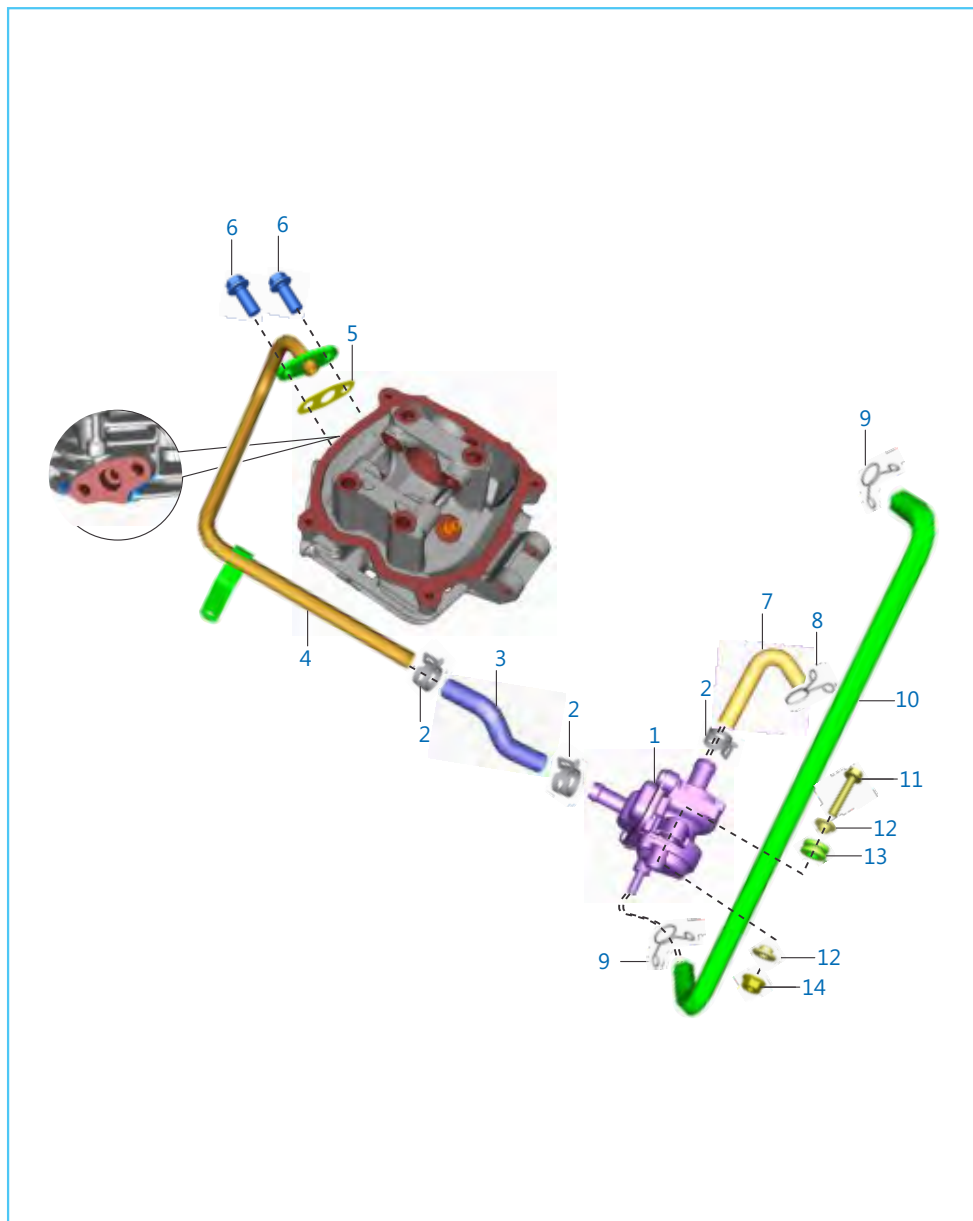


Plate No.: 1

Cover Cylinder Head

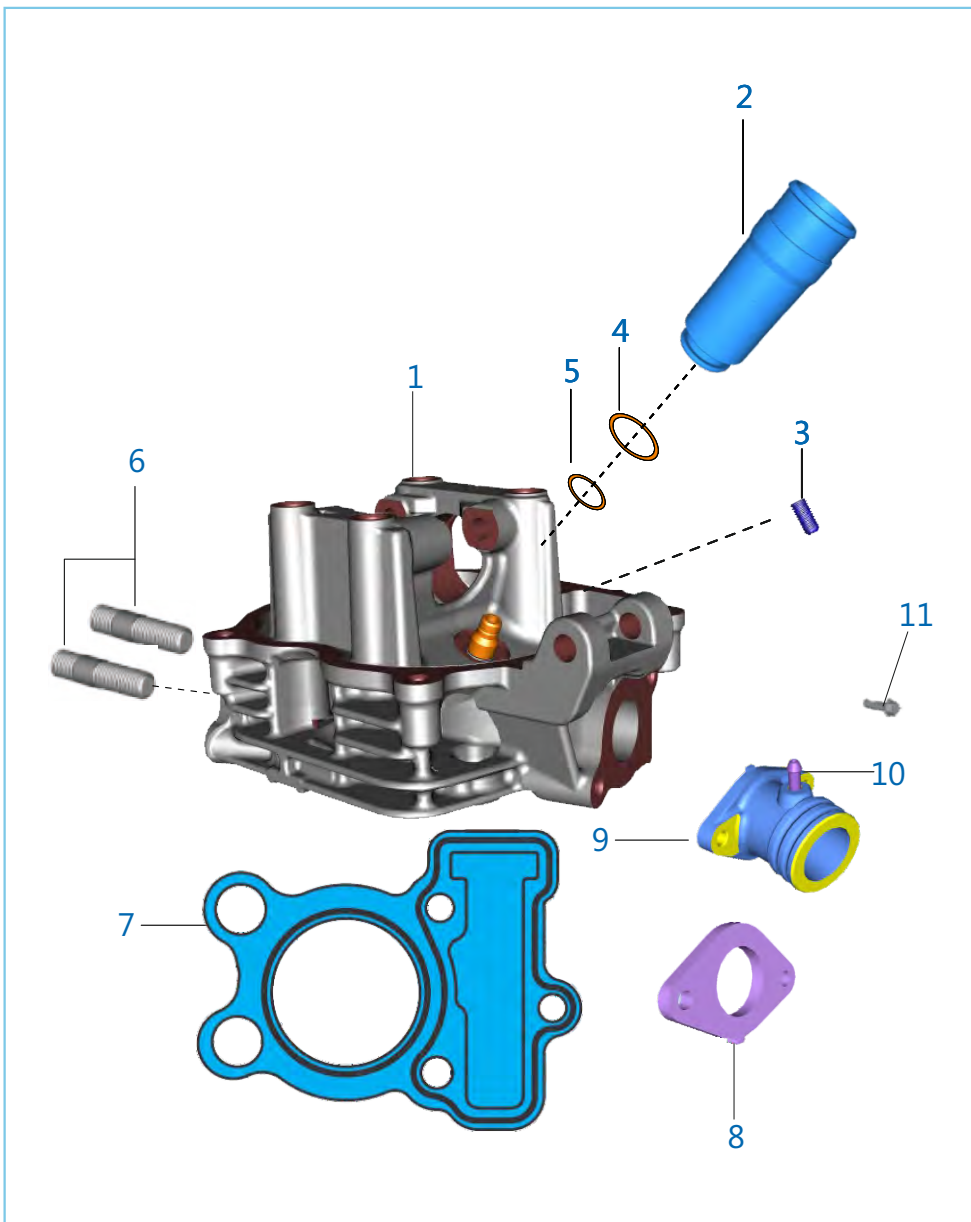


No.	Part No.	Description	Qty.	Remarks
1	JZ 5110 21	Cover Cylinder Head	1	
2	JA 5110 08	Bolt Head Mounting	4	
3	59 0400 38	Flange Bolt	4	
4	JD 5110 10	Gasket Head Cover	1	
5	PA 5110 39	Plate Cylinder Head	1	



### Sai System

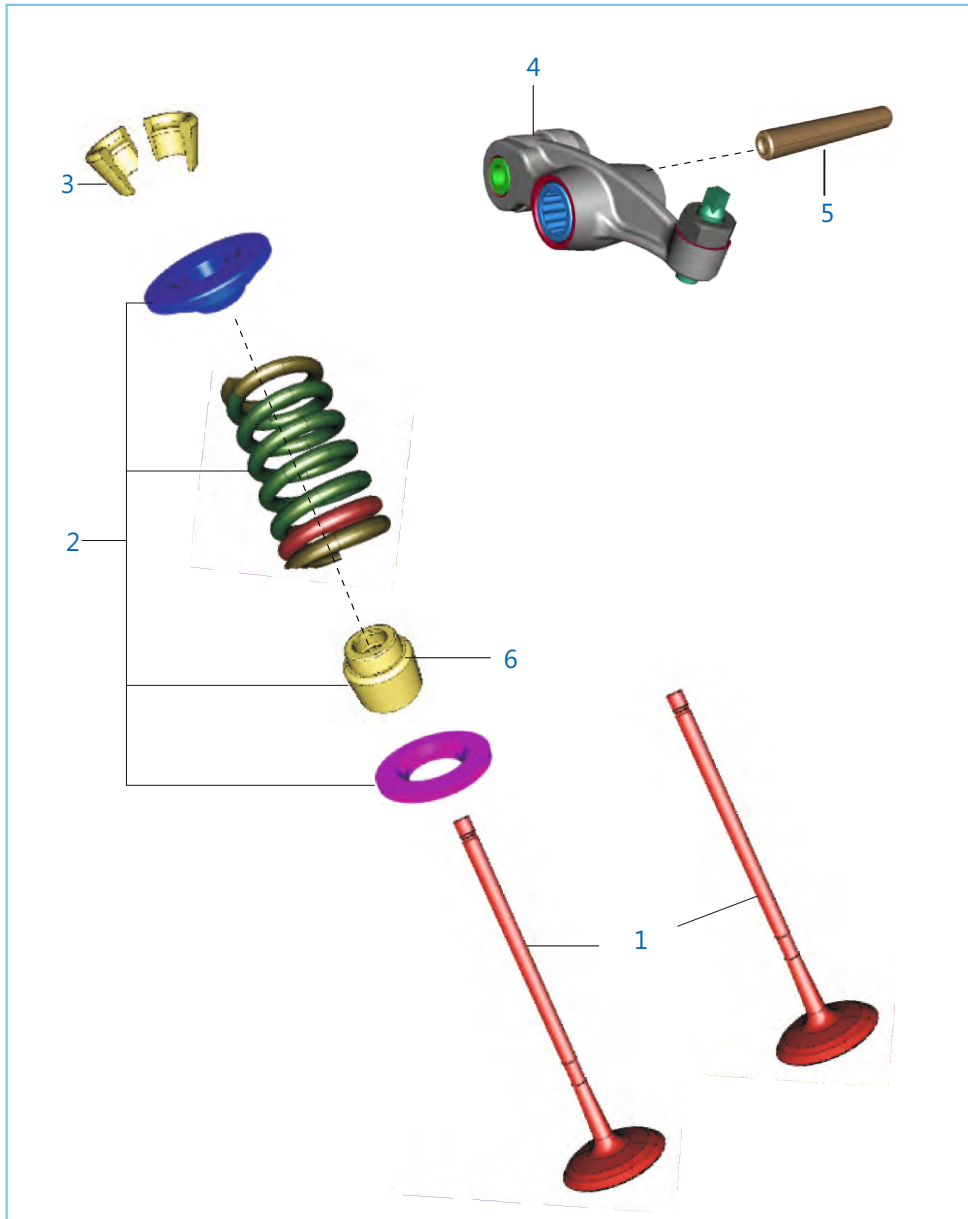
No.	Part No.	Description	Qty.	Remarks
1	JH 5822 00	Unit SAI	1	
2	JL 5810 66	Clamp Sai Pipe	3	
3	PF 5824 08	Hose Connector SAI	1	
4	PF 5824 09	Tube Outlet SAI	1	
5	JE 5110 67	Gasket SAI Flange	1	
6	KA EG06 14	Bolt - Flanged - Small	2	
7	PF 5824 00	Hose Intake SAI	1	
8	JY 5810 28	Clamp	1	
9	DG 1210 03	Clamp	2	
10	PF 5824 03	Hose Manifold SAI	1	
11	KA DF06 30	Bolt Flanged	2	
12	JD 1138 15	Sleeve SAI Unit	4	
13	JD 1138 14	Grommet SAI Unit	2	
14	KC GA06 06	Nut Hex Flanged	2	



### Cylinder Head

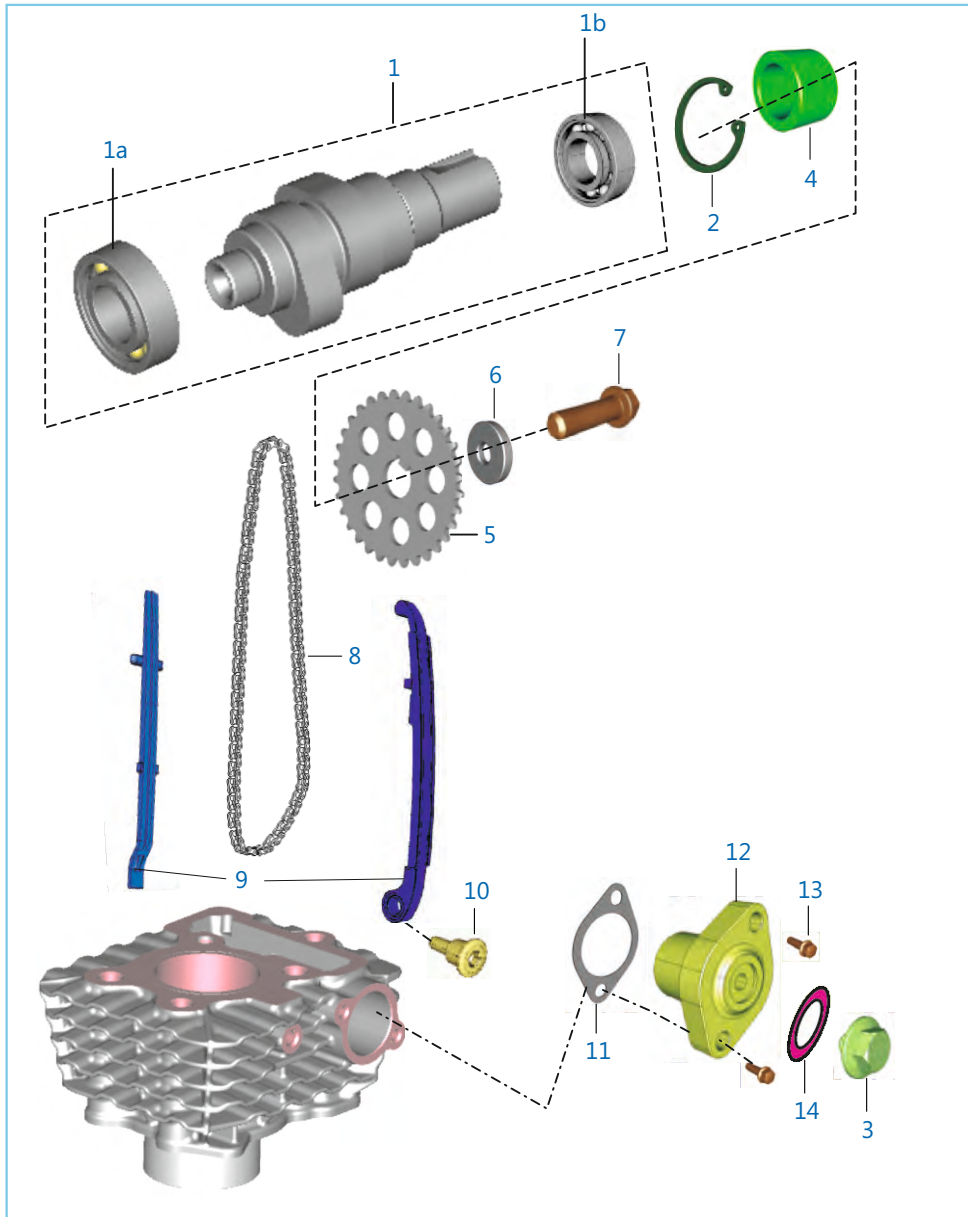
No.	Part No.	Description	Qty.	Remarks
1	PF 5111 35	Head Cylinder	1	
2	JF 5110 52	Sleeve Spark Plug	1	
3	39 2608 01	Screw - Grub	1	
4	39 1283 21	O Ring	1	
5	KJ AC18 24	O Ring	1	
6	LA J000 02	Bolt Stud	2	
7	PA 5110 98	Gasket Cylinder Head	1	
8	PF 5814 23	Insulator Manifold	1	
9	52 PF11 40	Assly Manifold Intake	1	
10	JE 5814 16	Nipple Connector Manifold Sai	1	
11	JA 5814 06	Bolt Flange	4	





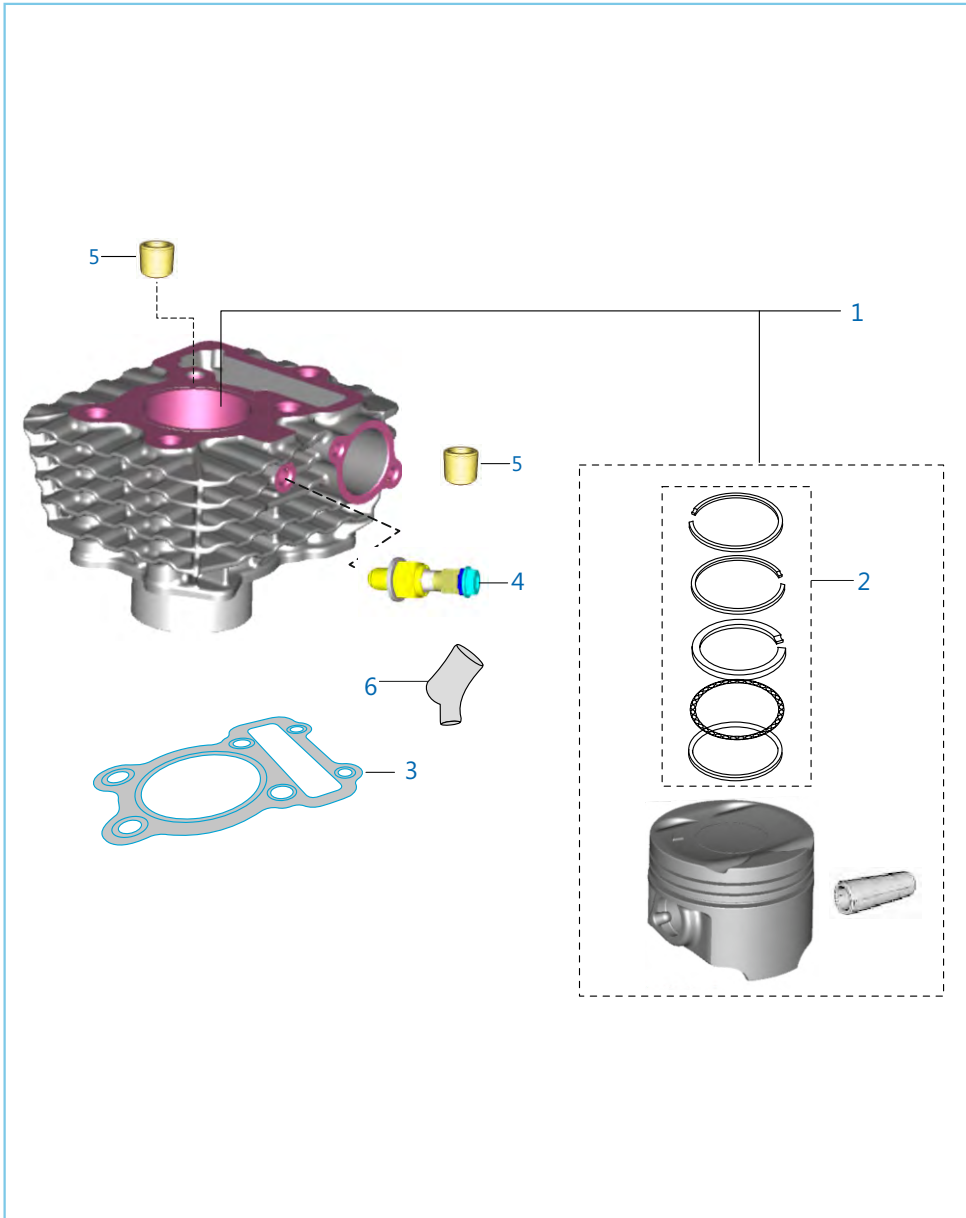
### Valve

No.	Part No.	Description	Qty.	Remarks
1	36 JH00 28	Kit Valve Intake + Exhaust	1	
2	36 JH00 29	Kit Valve Repair	1	
3	CB 1010 22	Collet Valve	4	
4	JH 5112 10	Assly Rocker Arm	2	
5	DK 1017 51	Shaft Rocker Arm Exhaust	2	
6	CB 1010 09	Seal Valve Stem	2	



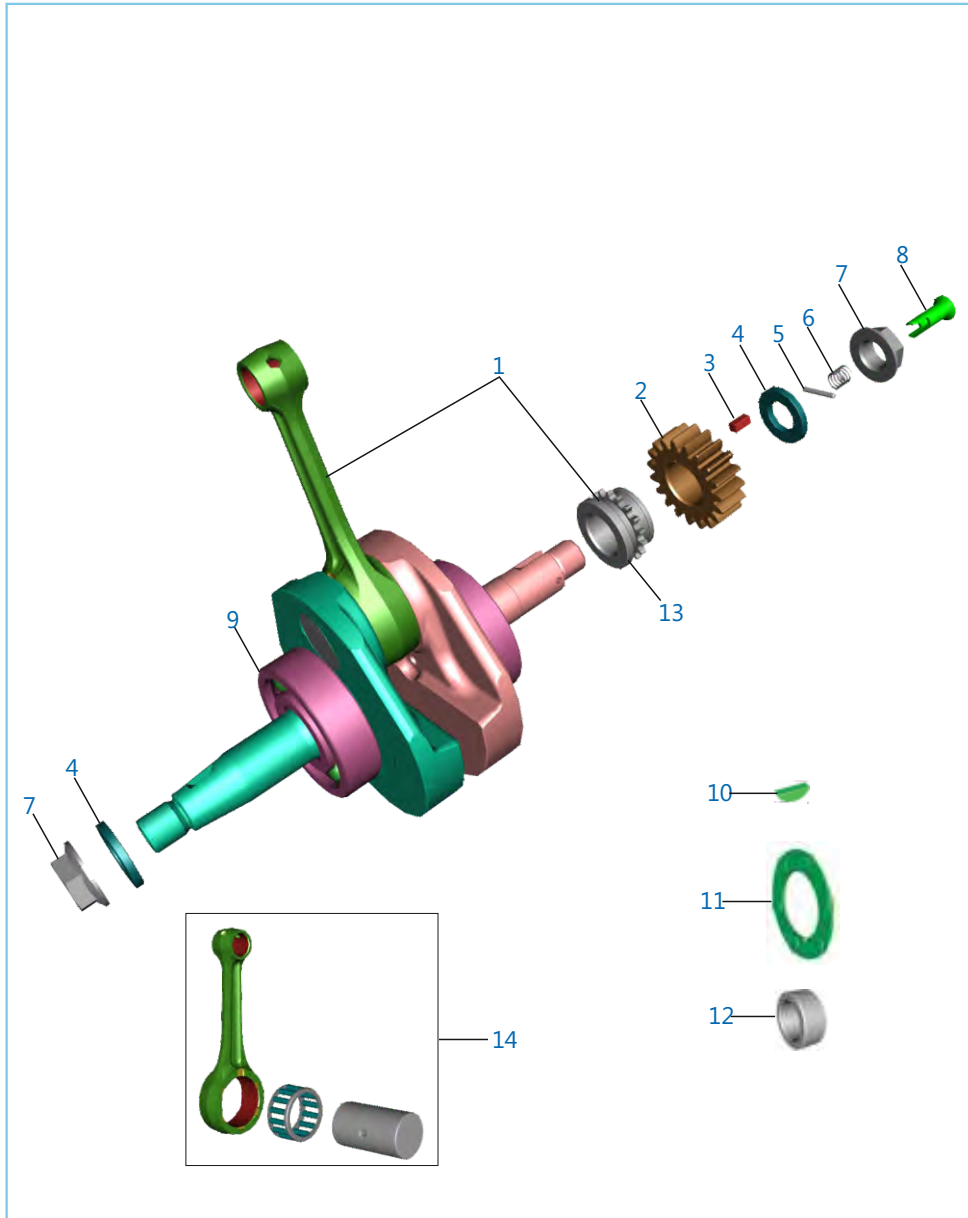
### Camshaft / Tensioner

No.	Part No.	Description	Qty.	Remarks
1	PF 5112 22	Assembly Camshaft	1	
1a	39 1988 20	Bearing - Ball :- 12 X 28 X 8	1	
1b	JE 5110 49	Bearing Cam Shaft D102c	1	
2	39 0594 17	Circlip - Internal	1	
3	DD 1010 62	Bolt Tensioner	1	
4	JA 5112 16	Spacer Cam Sprocket	1	
5	PD 5112 29	Sprocket Camshaft	1	
6	DH 1010 48	Washer- Special: Camshaft	1	
7	DK 1013 86	Bolt Hex Socket Head Cap	1	
8	JE 5112 30	Cam Chain 94 Links	1	
9	36 PA01 15	Kit Guide Cam Chain	1	
10	DH 1013 92	Cam Chain Tensioner Pivot Bolt	1	
11	CS 1011 28	Gasket	1	
12	JE 5210 16	Chain Tensioner	1	
13	DD 1010 62	Bolt-flanged-small	2	
14	39 2669 21	Ring - 'O' (ID 10.15X1.5)	1	



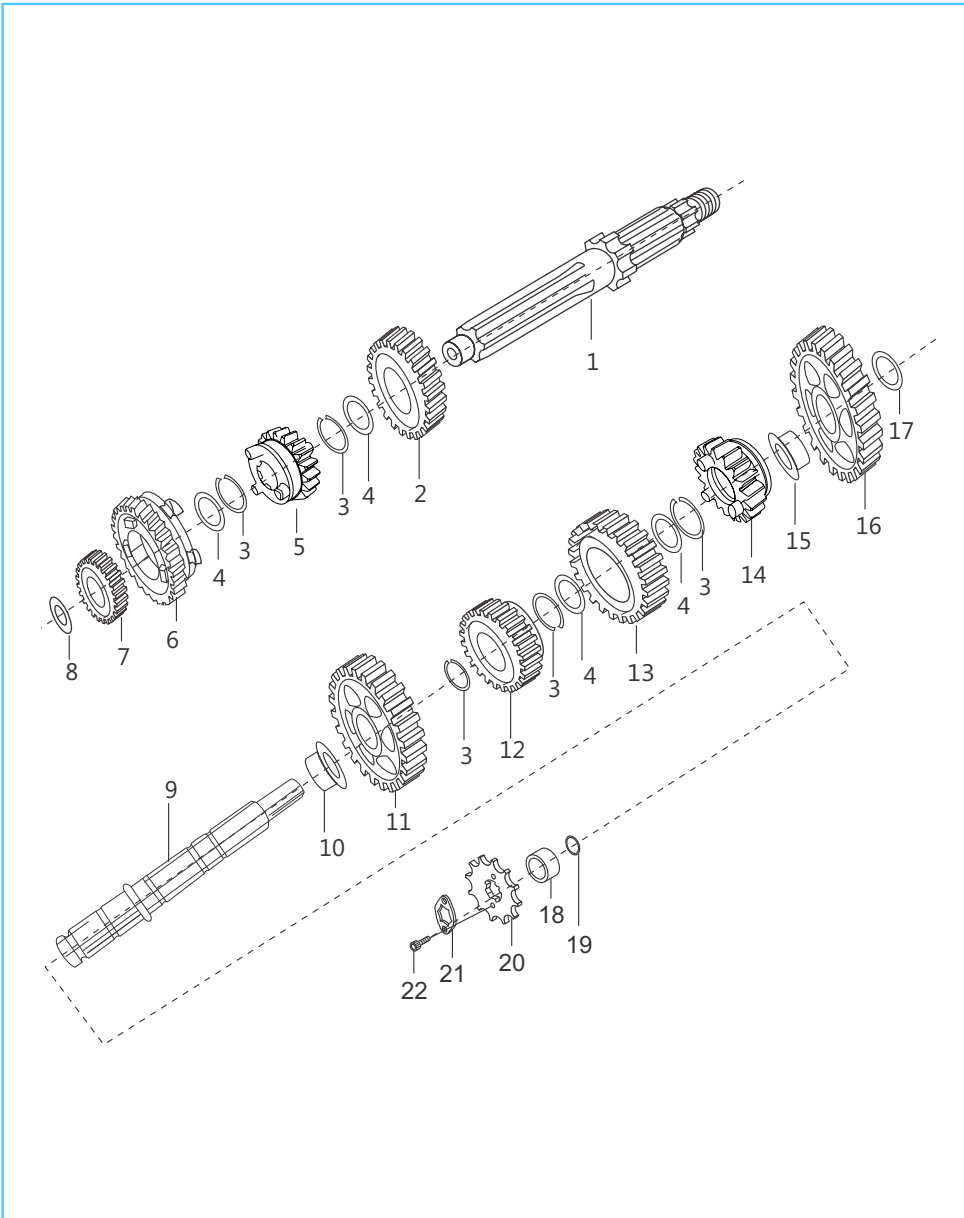
### Cylinder and Piston

No.	Part No.	Description	Qty.	Remarks
1	36 JZ01 83	Kit Piston Block	1	
2	36 JH00 32	Kit Piston Rings	1	
3	JH 5210 07	Gasket Cylinder Block	1	
4	JE 3514 03	Engine Temp Sensor	1	
5	39 1000 06	Pin - Hollow Dowel	2	
6	JB 4022 02	Grommet - Thermal Sensor	1	



### Crankshaft

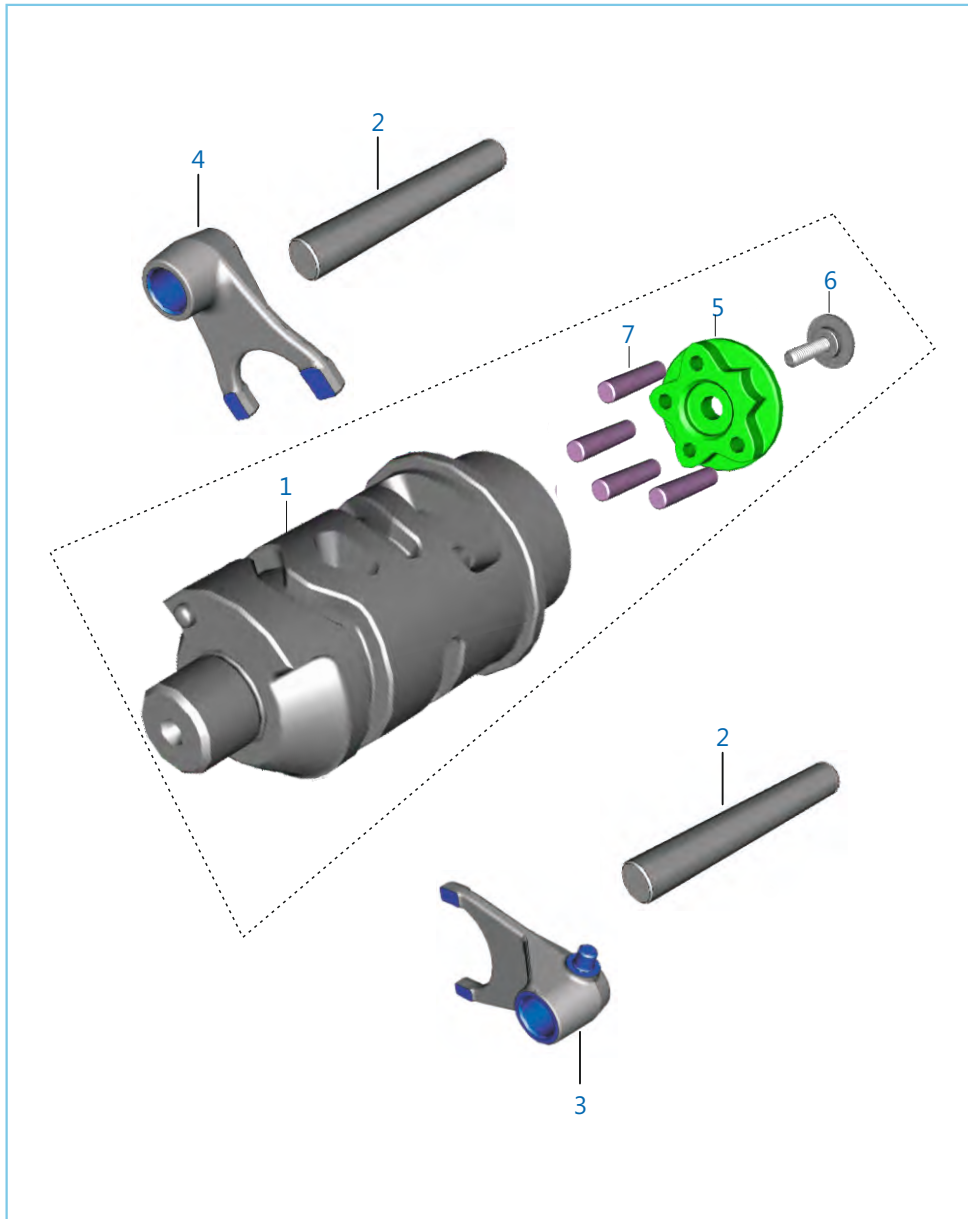
No.	Part No.	Description	Qty.	Remarks
1	JH 5310 07	Assly Crankshaft	1	
2	JZ 5310 06	Gear Primary Drive	1	
3	DS 1011 54	Key	1	
4	LD A000 25	Washer Plain	2	
5	JA 5310 15	Pin(C/S Plunger)	1	
6	JA 5310 12	Spring	1	
7	59 1500 14	Nut Flange	2	
8	JB 5310 21	Plunger oil Crankshaft	1	
9	JE 5310 01	Bearing	2	
10	31 1011 73	Key Woodruff	1	
11	JE 5410 38	Damper Crankshaft	1	
12	JD 5310 04	Spacer Crankshaft	1	
13	JD 5310 03	Sprocket Crankshaft Drive	1	
14	36 JD01 08	Kit Connecting Rod	1	



## Transmission

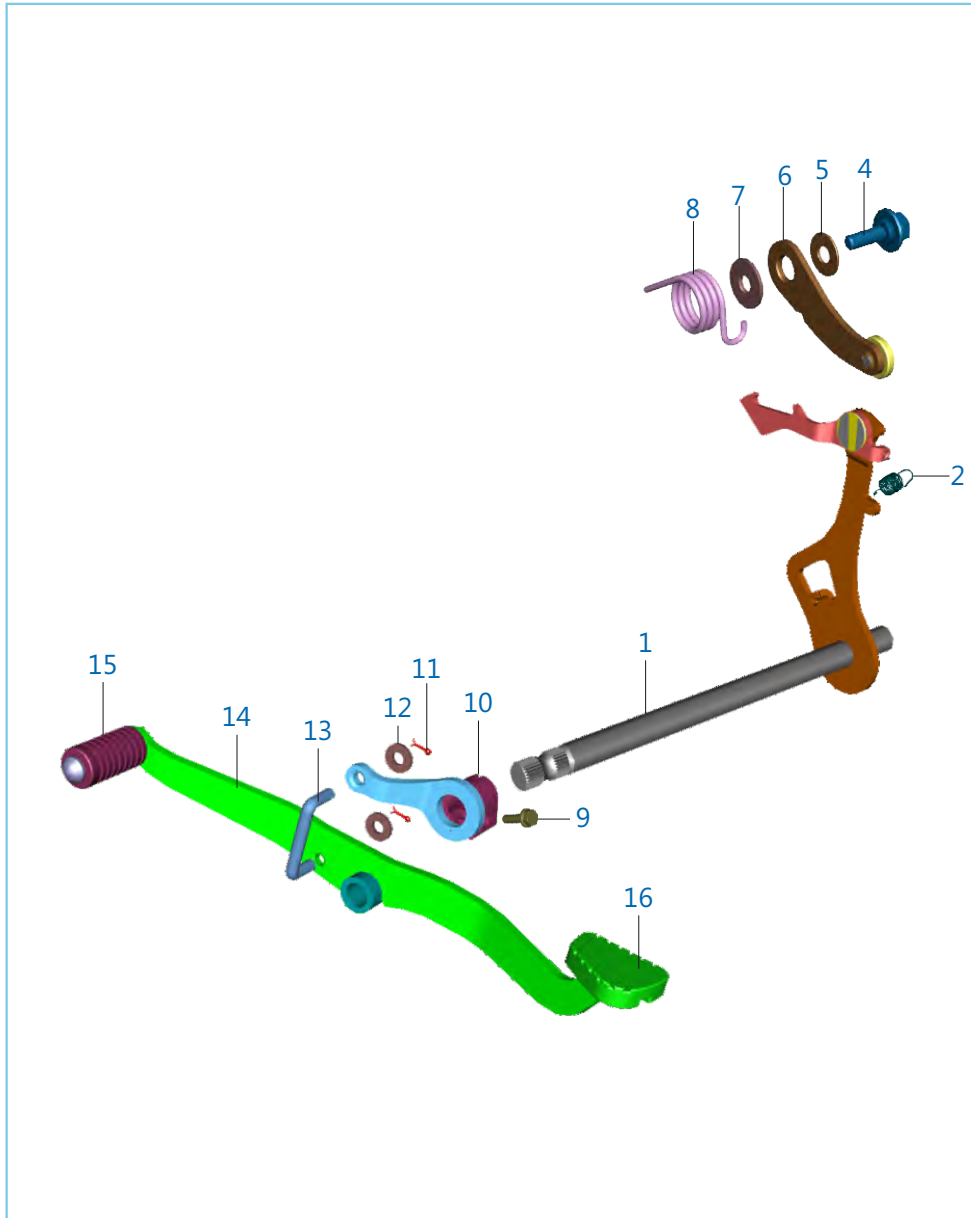
No.	Part No.	Description	Qty.	Remarks
1	JZ 5510 10	Shaft Input W/o Gun Hole	1	
2	JZ 5512 02	Gear 4th Drive	1	
3	39 0987 17	Ring Snap	5	
4	JA 5510 02	Spline Washer	4	
5	JE 5512 01	Gear 3rd Drive W/o Shot Penning	1	
6	JZ 5512 13	Gear 5th Drive Forging Route	1	
7	JE 5512 00	Gear 2nd Drive	1	
8	JA 5510 04	Washer Thrust 2nd Drive	1	
9	JZ 5510 08	Shaft Output Forging Route	1	
10	JZ 5512 10	Bush 2nd Driven	1	
11	JE 5512 05	Gear 2nd Driven	1	
12	JZ 5512 11	Gear 5th Driven-forged	1	
13	JE 5512 06	Gear 3rd Driven W/o Shot Peening	1	
14	JE 5512 16	Gear 4th Driven	1	
15	JZ 5512 05	Bush 1st Driven	1	
16	JE 5512 15	Gear 1st Driven	1	
17	JA 5510 08	Washer Thrust (12.2x27x1)	1	
18	JA 5510 09	Collar Sprocket Drive	1	
19	59 2100 24	O-ring 13.8*1.9	1	
20	JZ 5510 04	Sprocket Output 14t Disco-h	1	
21	DU 1012 13	Plate Lock-sprocket Output	1	
22	DS 1013 55	Socket Head Bolt	2	





### Change Drum / Shift Fork

No.	Part No.	Description	Qty.	Remarks
1	JE 5610 06	Drum Comp Gear Shift	1	
2	JD 5610 06	Shaft Gear Fork Shift	2	
3	JD 5610 04	Fork Gear Shift Output	4	
4	JZ 5610 02	Fork Input Disco-H	1	
5	JE 5610 05	Cam Drum Change	1	
6	JD 5610 11	Special Bolt	1	
7	39 0992 06	Dowel	4	

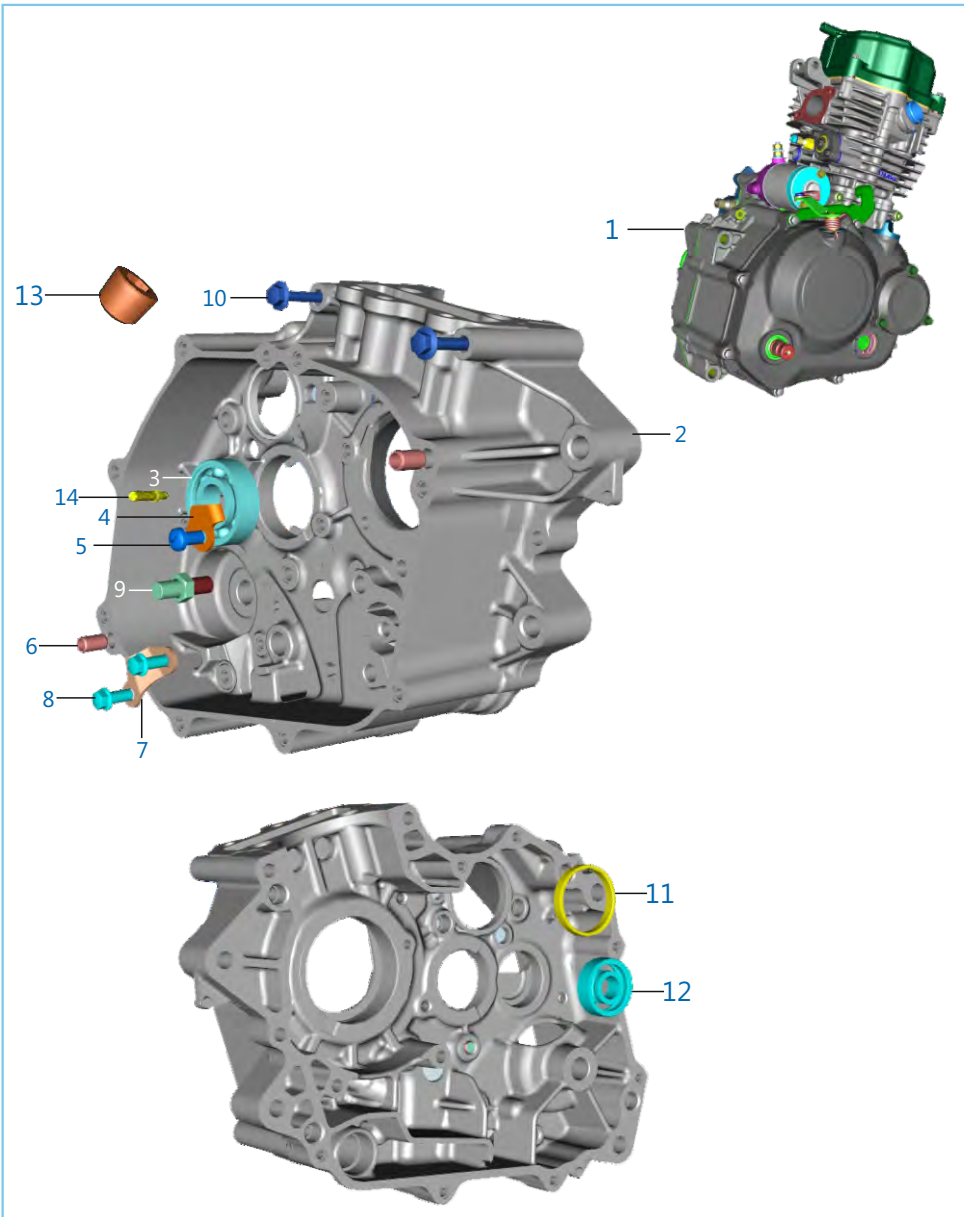


### Gear Change Mechanism

No.	Part No.	Description	Qty.	Remarks
1	52 JZ02 64	Lever Comp Gear Shift	1	N.I.
2	JW 5612 06	Extension Spring	1	
3	JE 5612 00	Spring Gear Shift Return	1	
4	BF 5612 19	Bolt	1	
5	LD B000 44	Washer (spring Steel)	1	
6	PA 5612 09	Inhibitor Comp. Gear Shift	1	
7	LD B000 44	Washer Plain	1	
8	JD 5612 04	Spring Inhibitor	1	
9	39 1902 04	Bolt - Flange : M6	1	
10	JK 5612 08	Arm Lever Change	1	
11	KH AA20 15	Pin Cotter	2	
12	JD 5614 16	Washer - Nylon	2	
13	JH 5614 09	Rod Tie	1	
14	JK 5612 07	Lever Assembly Change	1	
15	DH 1015 09	Damper	1	
16	JH 5614 04	Rubber Damper	1	

Plate No.: 11

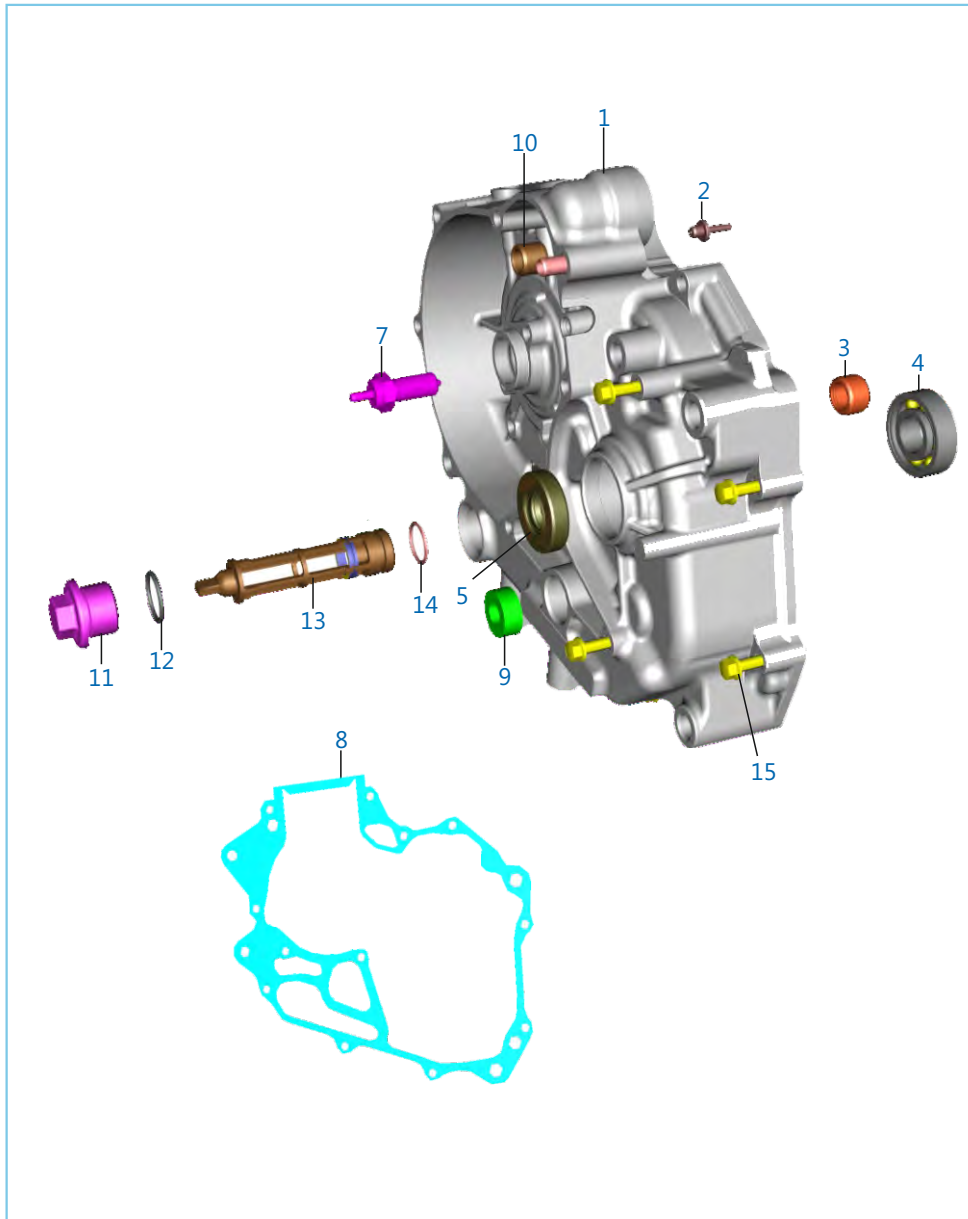
Engine Assembly / Crankcase RH



No.	Part No.	Description	Qty.	Remarks
1	PF 5010 74	Engine Assembly	1	
2	36 PA02 11	Kit Assly Crankcase RH	1	
3	59 2000 36	Bearing Ball	1	
4	JA 5410 10	Stopper Plate	1	
5	DH 1013 80	Screw	1	
6	39 0999 06	Dowel Pin	1	
7	JA 5410 12	Guide Kick	1	
8	DH 1016 39	Lock Screw Earthing	1	
9	52 JA00 29	Bolt (JA541014) Precoated	1	
10	KA EF06 50	Bolt-flange	2	
11	PF 5410 18	Bushing Drum	1	
12	KP BF62 01	Bearing Ball	1	
13	BA 1020 04	Plug	1	
14	JE 5410 28	Pin K11	1	

Plate No.: 12

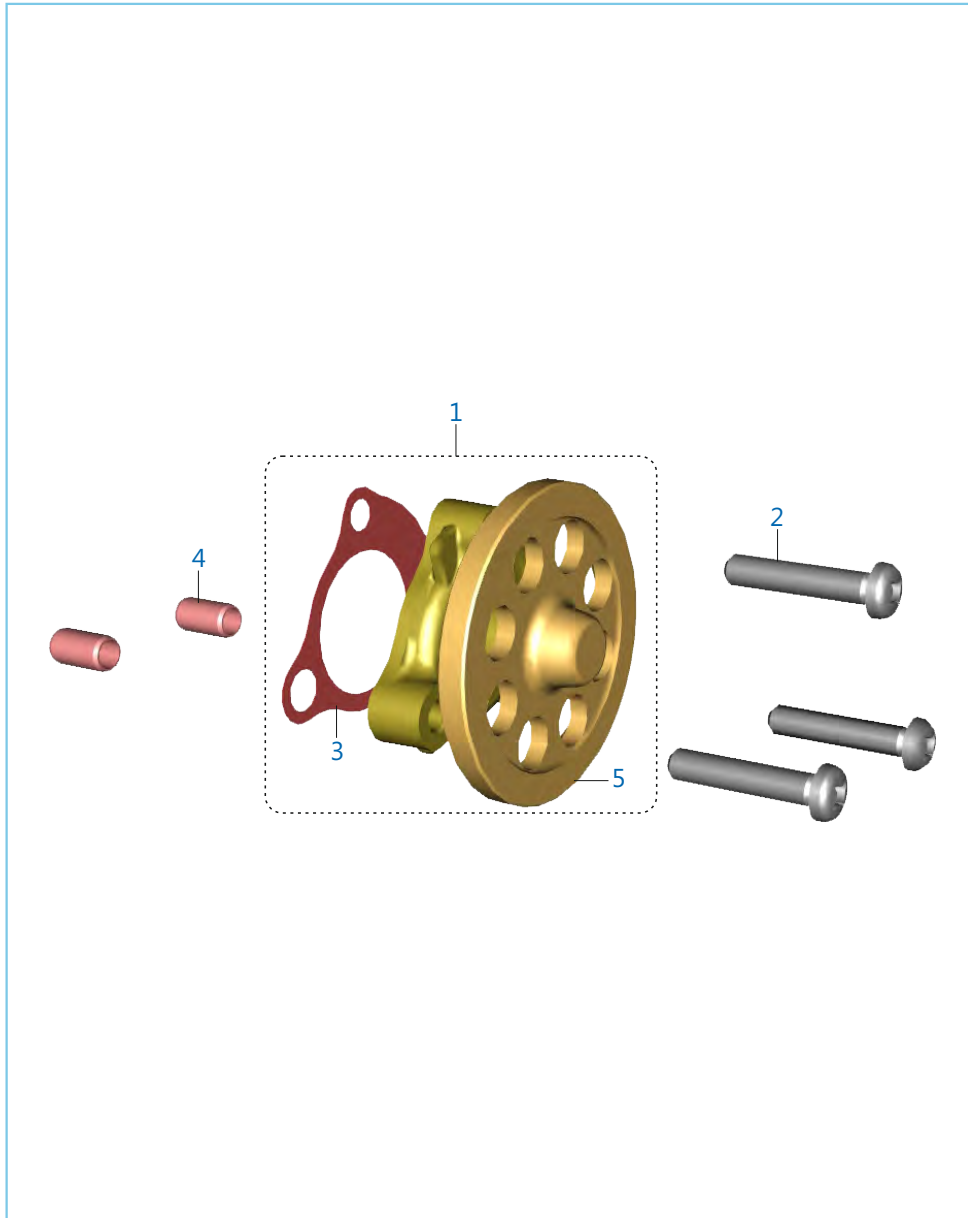
Crankcase LH



No.	Part No.	Description	Qty.	Remarks
1	36 PF01 28	Kit Assly Crankcase LH	1	
2	JZ 5410 05	Nozzle Oil Jet	1	
3	39 2562 20	Needle Roller Bearing	1	
4	59 2000 36	Ball Bearing	1	
5	39 1715 19	Seal Oil	1	
6	DH 1017 84	Gasket Neutral Switch	1	N.I.
7	31 2010 81	Switch Neutral	1	
8	JH 5410 15	Gasket crankcase	1	
9	39 2190 19	Oil Seal	1	
10	JA 5410 05	Bush Bendix	1	
11	JA 5410 21	Cap Strainer	1	
12	59 2100 23	'O' Ring	1	
13	JA 5410 19	Mesh Filter Oil strainer	1	
14	LJ A000 04	'O' Ring Mesh Filter Oil Strainer	1	
15	59 0400 38	Bolt Flange	6	

Plate No.: 13

Oil Pump

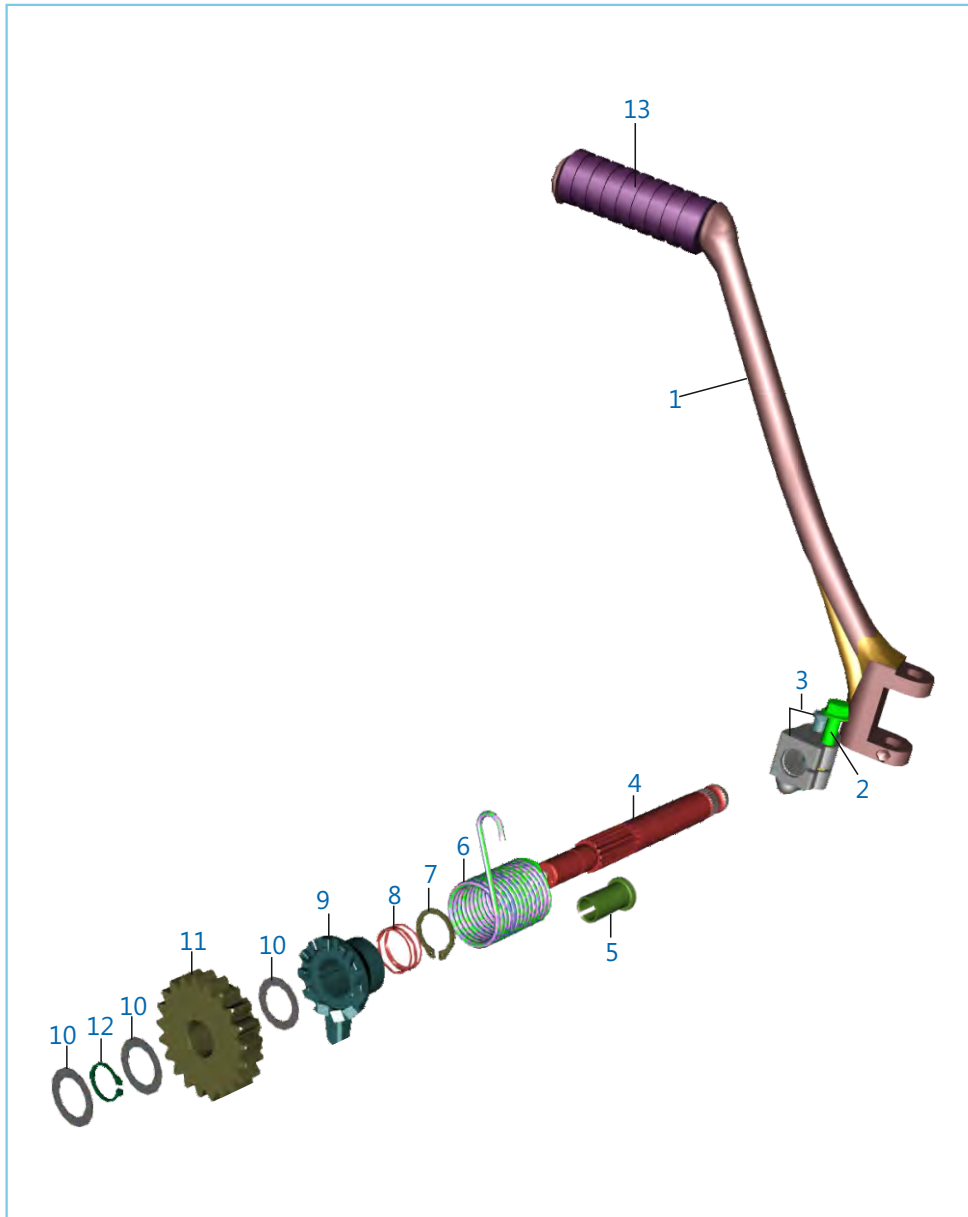


No.	Part No.	Description	Qty.	Remarks
1	JZ 5710 00	Assembly Oil Pump	1	
2	FD 1010 78	Screw Pan Cross :	3	
3	JA 5410 16	Gasket Case Oil Pump	1	
4	39 0999 06	Pin Dowel	2	
5	JZ 5710 01	Gear Driven + Shaft Oil Pump	1	



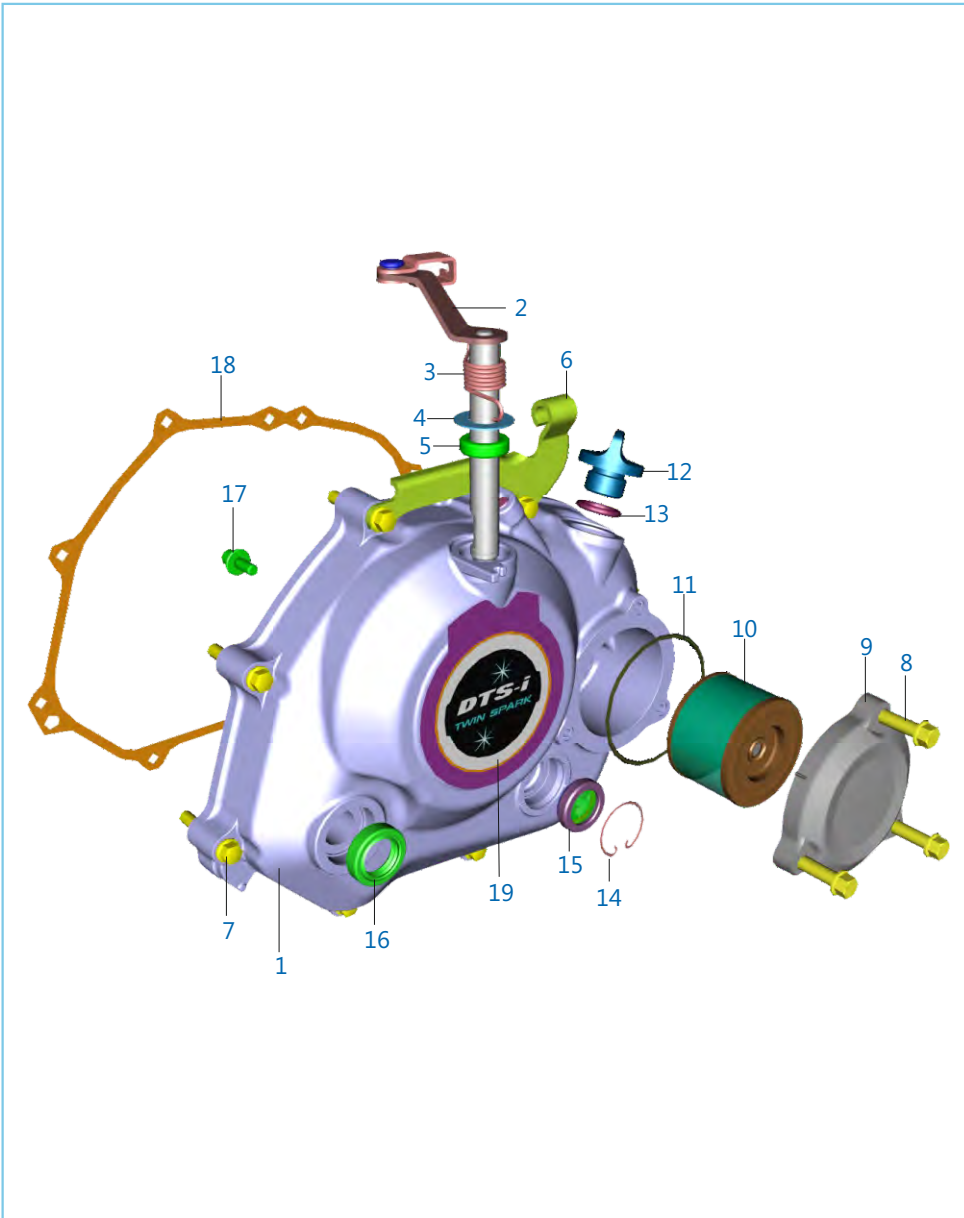
Plate No.: 14

Kick Starter Mechanism



No.	Part No.	Description	Qty.	Remarks
1	PA 6212 03	Lever Assembly Kick	1	
2	JA 6212 06	Bolt Special	1	
3	36 JH00 09	Boss Kick Set	1	
4	PA 6210 07	Shaft Kick	1	
5	JE 6210 04	Sleeve	1	
6	JE 6210 03	Spring	1	
7	39 0738 17	Extrn Circlip Type C	2	
8	DS 1011 17	Spring Kick Starter	1	
9	JA 6210 02	Ratchet	1	
10	39 0993 11	Plain Washer	3	
11	PA 6210 08	Gear Kick Pinion	1	
12	39 2408 17	External Circlip	1	
13	DD 1010 97	Damper	1	

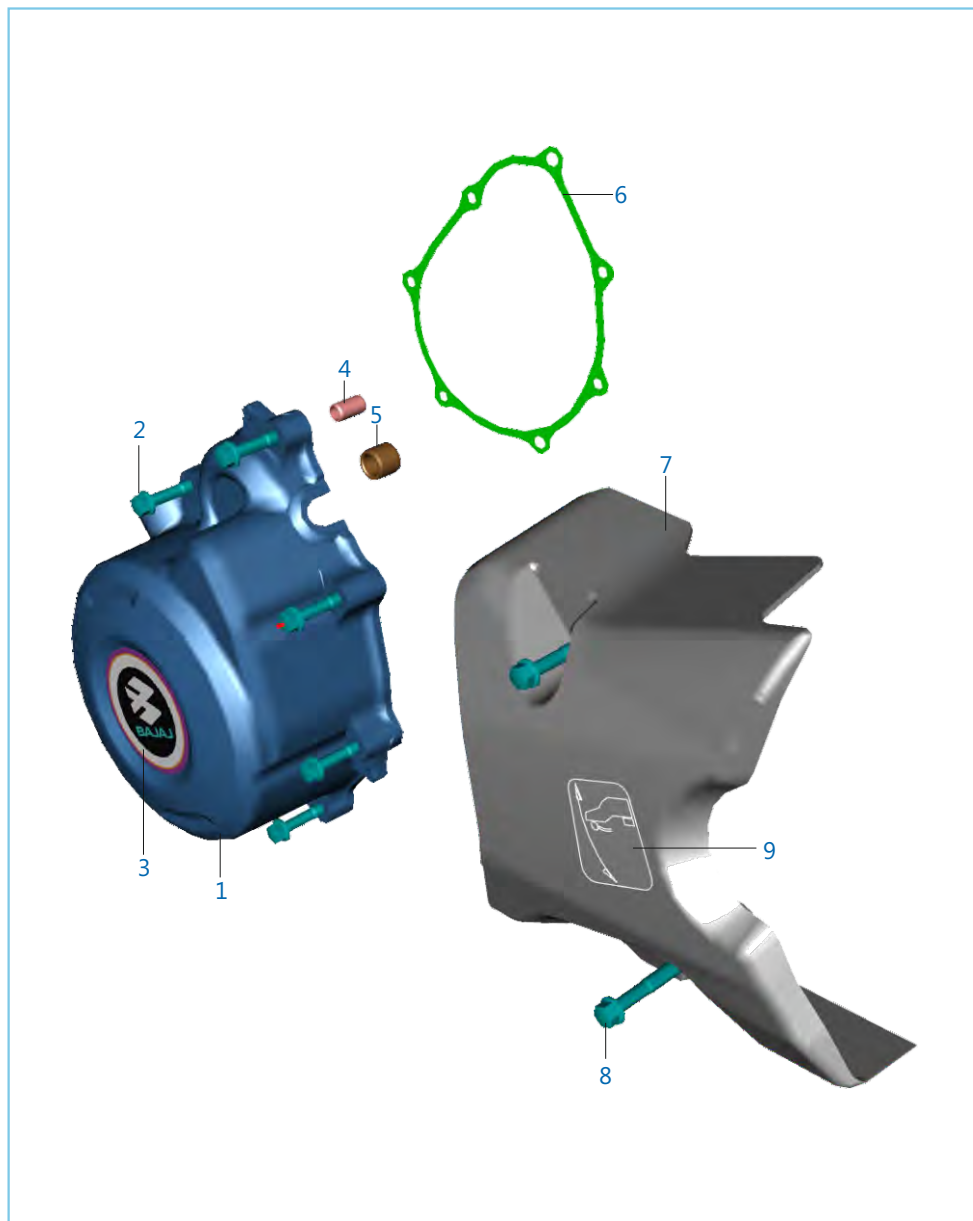
Cover Clutch



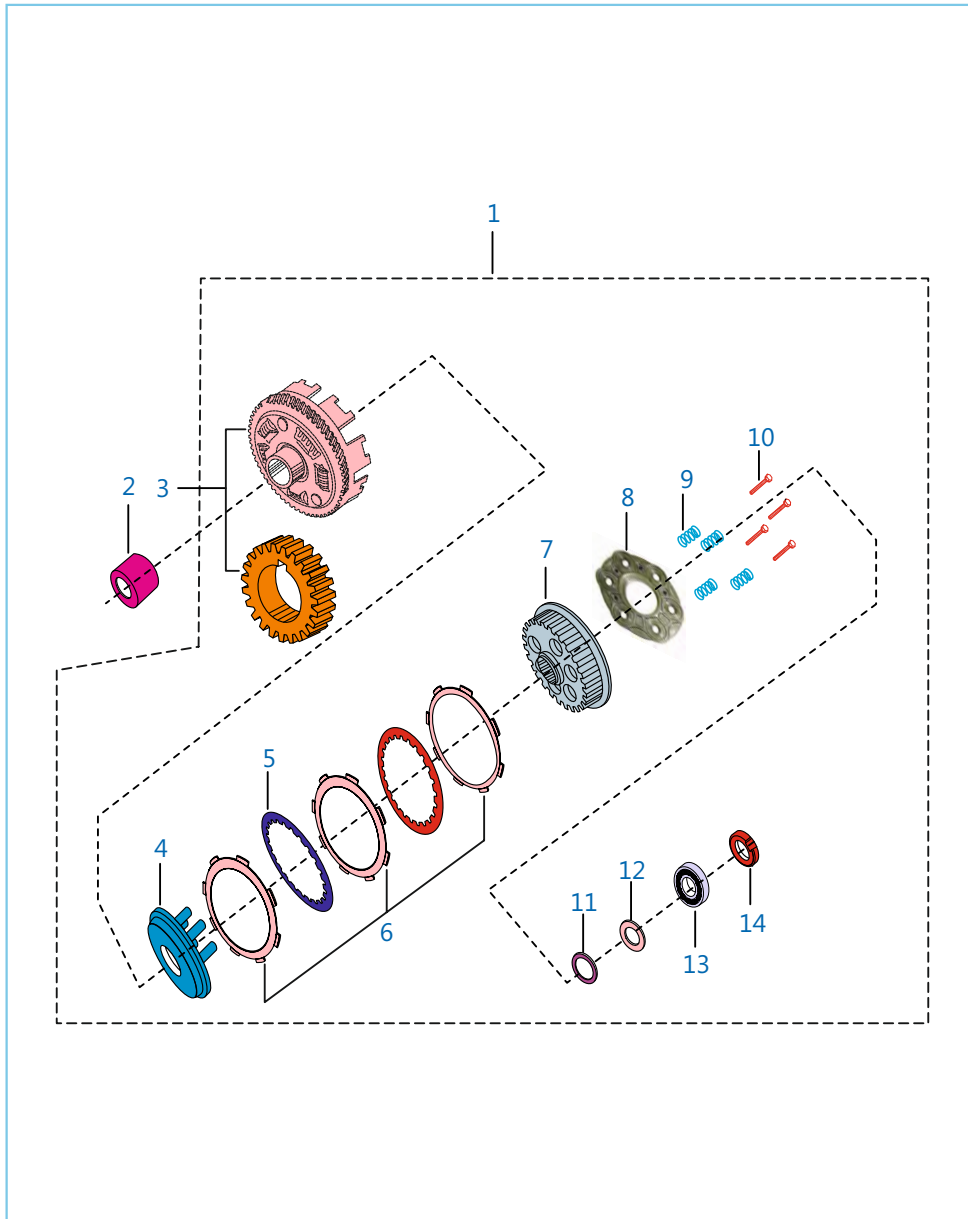
No.	Part No.	Description	Qty.	Remarks
1	52 PF11 33	Cover Clutch Assembly	1	
2	JE 5412 88	Shaft Assembly Clutch	1	
3	JE 5412 14	Spring Torsion Cl. Cover	1	
4	39 2443 11	Washer - Plain	1	
5	39 1041 19	Seal - Oil	1	
6	JE 5412 91	Bracket Clutch Cable	1	
7	59 0400 38	Bolt - Flange : M6	8	
8	LA E000 05	Bolt Flange	3	
9	PF 5412 54	Cap Filter	1	
10	DD 1211 81	Element Oil Filter	1	
11	39 1671 21	Ring - 'O'	1	
12	JA 5412 11	Cap Oil Filler	1	
13	JA 5412 25	O Ring Cap Oil Filler	1	
14	DS 1012 15	Clip - Wire	1	
15	JL 5412 27	Window Oil Gauge	1	
16	30 1011 42	Seal - Oil (Kick Shaft)	1	
17	PF 5514 07	Rod-Push	1	
18	JA 5412 12	Gasket Clutch Cover	1	
19	PF 5412 50	Label Clutch Cover	1	

Plate No.: 16

Cover Magneto



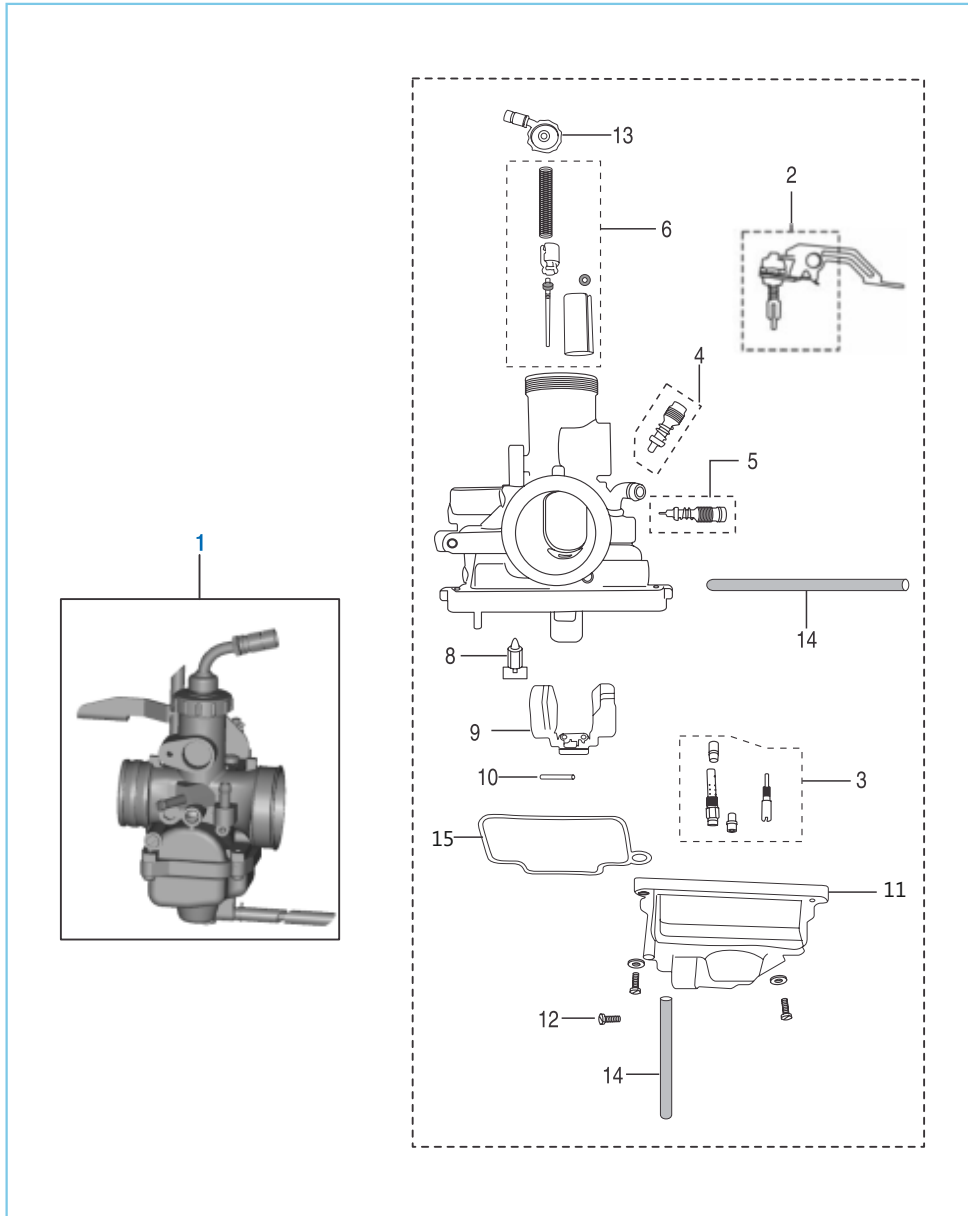
No.	Part No.	Description	Qty.	Remarks
1	52 JV01 43	Magneto Cover	1	
2	59 0400 38	Bolt - Flanged : Small	7	
3	PF 5412 49	Label Magneto Cover	1	
4	39 0999 06	Dowel	2	
5	JA 5410 05	Bush Bendix	1	
6	JB 5412 24	Gasket Cover Magneto	1	
7	PF 5412 68	Cover LH RR	1	
8	59 0400 38	Flange Bolt	2	
9	DJ 1610 12	Label - Gear Shift	1	



### Clutch Assly

No.	Part No.	Description	Qty.	Remarks
1	PF 5514 39	Clutch Assembly	1	
2	JA 5514 06	Collar Clutch	1	
3	36 JZ01 84	Primary Drive Gear & CI Housing	1	
4	PF 5514 36	Wheel Clutch	1	
5	36 JZ01 99	Kit Clutch Plate	1	
6	36 JZ01 85	Friction Plate Kit	1	
7	PF 5514 33	Hub Clutch	1	
8	PF 5514 38	Clutch Holder	1	
9	PF 5514 37	Compression Spring	4	
10	39 1553 04	Bolt - Flange M6	4	
11	JA 5514 20	Washer Plain	1	
12	JE 5514 09	Washer Belleville	1	
13	39 1001 20	Bearing - Ball	1	
14	52 JA00 28	Nut (ja531007) Precoated	1	

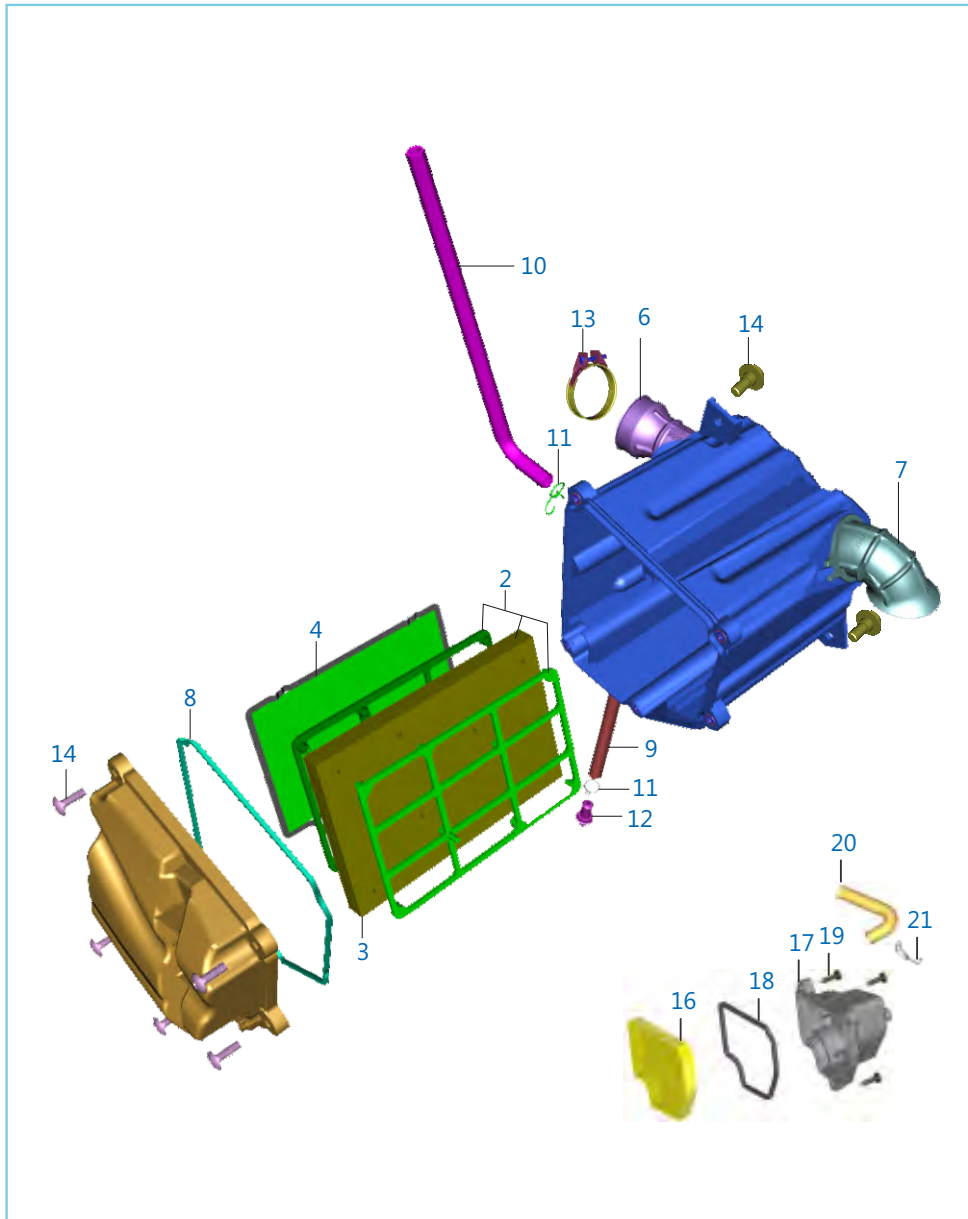
Carburetor Assembly



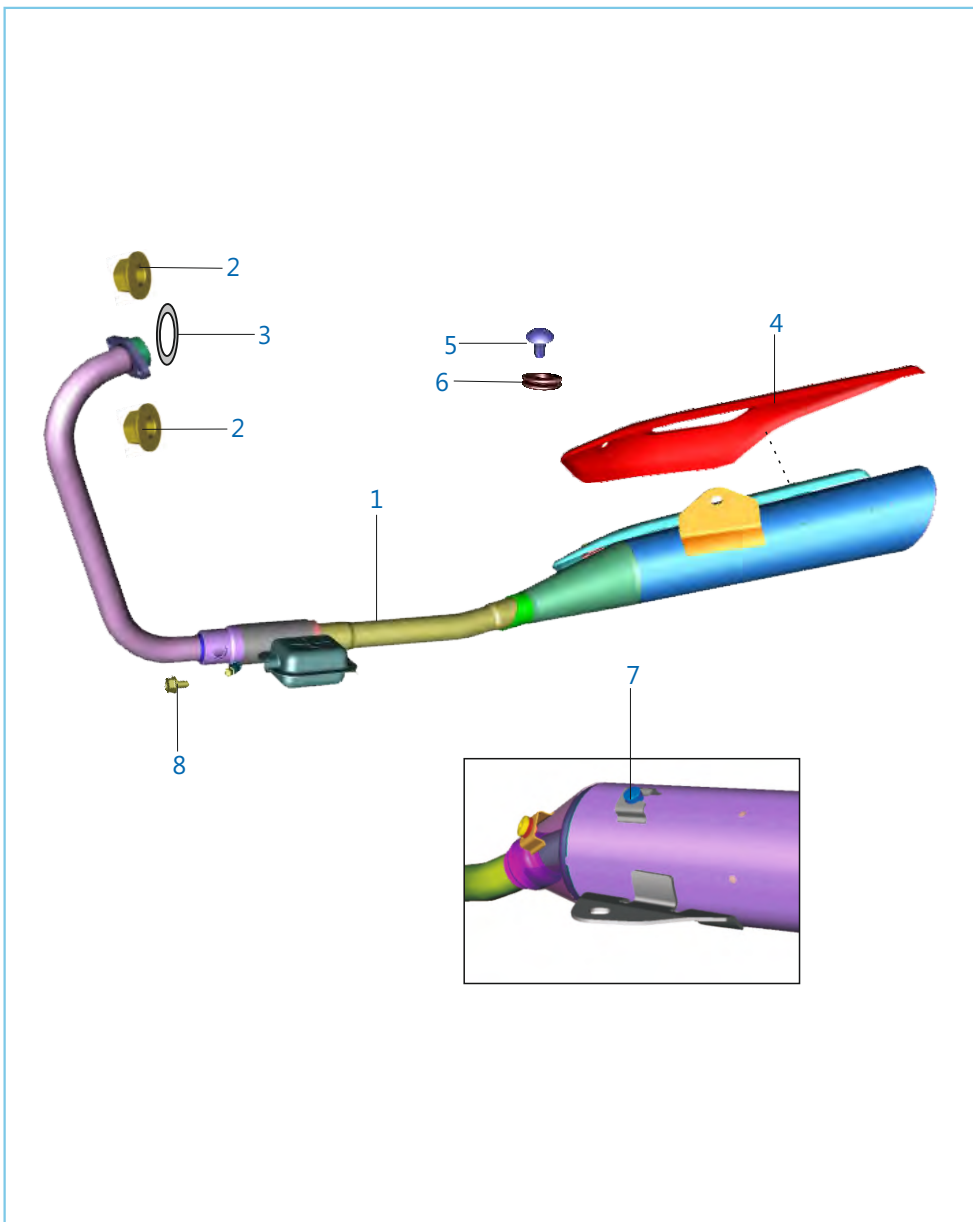
No.	Part No.	Description	Qty.	Remarks
1	PF 5812 28	Carburettor Assembly	1	
2	36 JZ01 96	Plunger Assembly With Lever	1	
3	36 JK00 87	Jet Kit	1	
4	36 JK00 86	Pilot Screw Kit	1	
5	36 JZ00 16	Kit Idling Screw - Disco H	1	
6	36 JK00 85	Piston Valve Assy Kit	1	
7	36 JZ01 91	O-ring & Gasket Kit	1	
8	JA 5812 21	Needle Valve Assembly	1	
9	24 1213 65	Float Assembly	1	
10	24 1210 69	Pin - Float	1	
11	36 JK00 88	Float Body Assy Kit	1	
12	JA 5813 14	Drain Screw	1	
13	36 JZ01 92	Mixing Cap Assy Kit	1	
14	JZ 5812 20	Hose Av- Drain Vm22 Disco-H	2	
15	JA 5812 32	O-ring(FCB)	1	

Plate No.: 19

### Air Filter Assembly



No.	Part No.	Description	Qty.	Remarks
1	PF 5810 62	Filter Assembly Air	1	
2	PF 5810 45	Assly Cartridge	1	
3	PF 5810 44	Foam Element Air Filter	1	
4	PF 5810 46	Arrester Flame	1	
5	PA 5810 53	Top Cover Screw	5	
6	PF 5810 63	Tube Connecting	1	
7	PF 5810 51	Duck Intake	1	
8	PF 5810 49	Ring Seal Air Filter Cover	1	
9	PF 5810 48	Drain Tube	1	
10	PF 5810 65	Hose Breather	1	
11	DP 1210 25	Clip	3	
12	DS 1211 26	Plug	1	
13	DH 1210 38	Clamp	1	
14	DP 1610 94	Bolt Stepped	2	
15	KA DF06 14	Bolt Step	1	N.I
16	PF 5826 01	Foam Element SAI	1	
17	PF 5826 00	Cover SAI Filter	1	
18	PF 5826 02	O Ring SAI Filter Cover	1	
19	KB RA48 19	Screw Tapping Pan Cross	3	
20	PF 5824 00	Hose SAI	1	
21	JY 5810 28	Clamp	1	



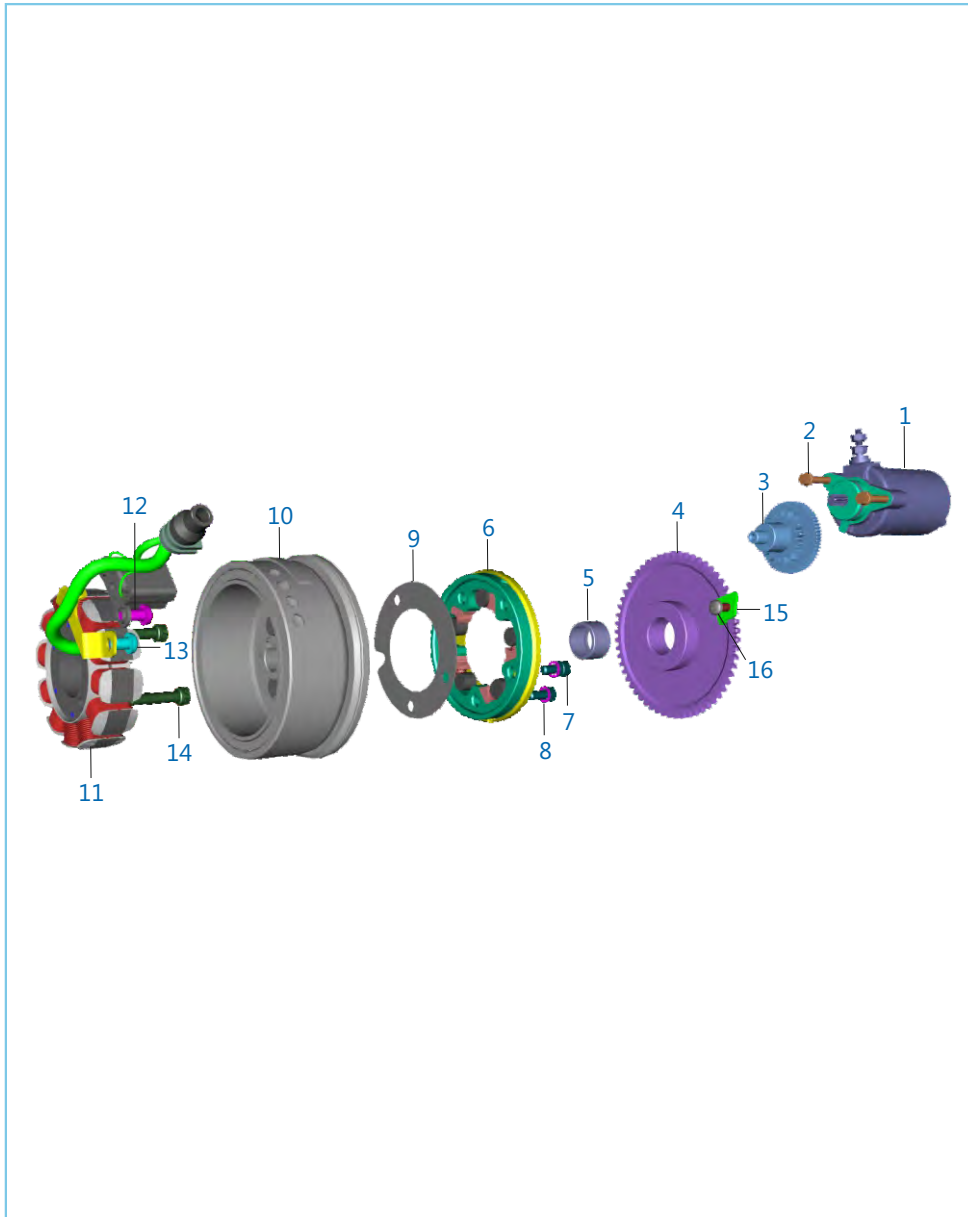
### Silencer Assembly

No.	Part No.	Description	Qty.	Remarks
1	PF 5912 64	Silencer Assembly Complete	1	
2	39 22951 5	Nut- U	1	
3	JE 5910 02	Gasket Exhaust	1	
4	PF 5911 46	Shield Silencer	1	
5	JW 5910 28	Truss Screw	2	
6	JB 5910 68	Washer Nylon Shield Silencer	2	
7	JB 5910 59	Damper Shield Muffler Disco	1	
8	DK 1016 10	Bolt	1	

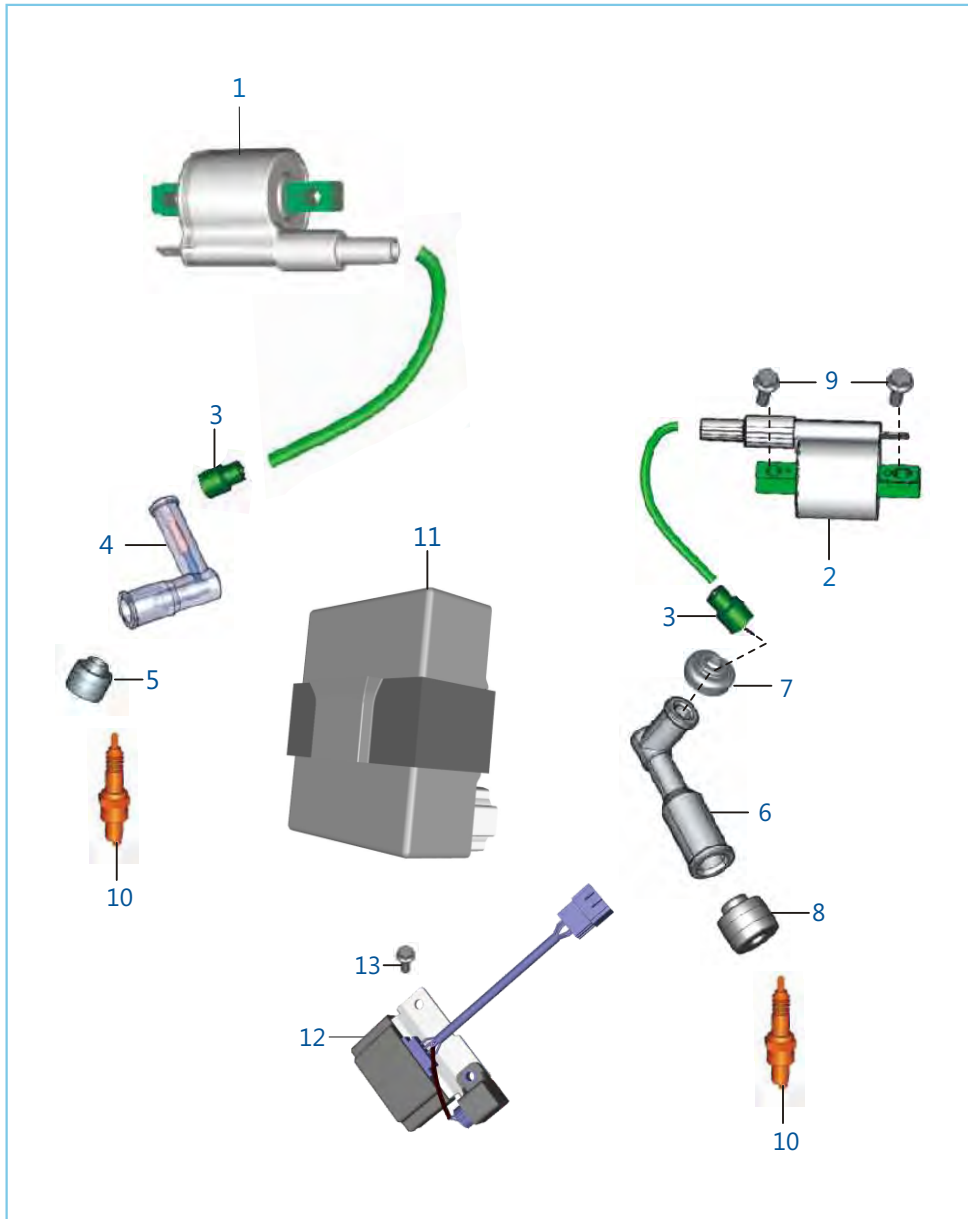


Plate No.: 21

Starter / Magneto / Stator Assembly



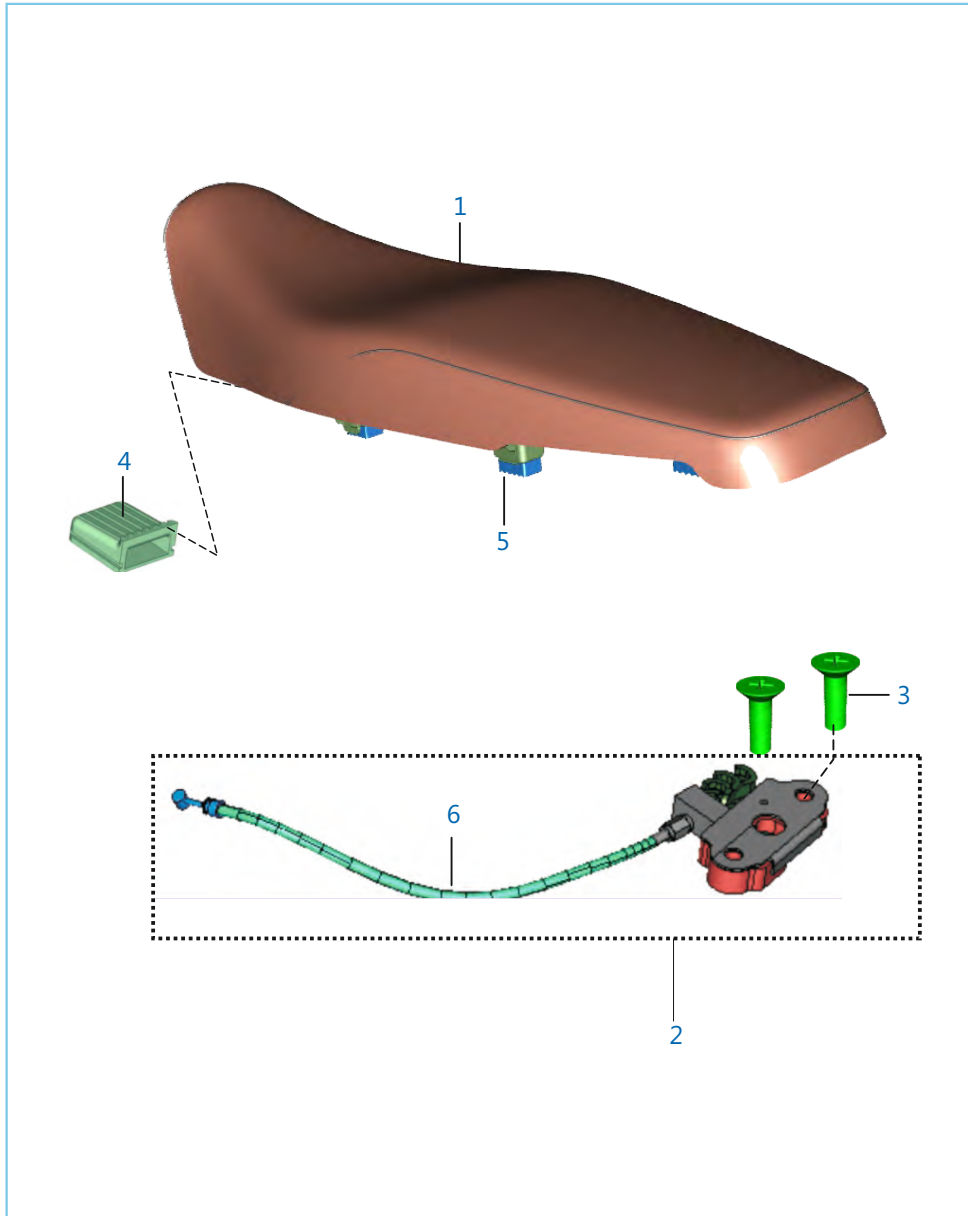
No.	Part No.	Description	Qty.	Remarks
1	JH 3516 02	Motor Assembly Starter	1	
2	KA ED06 25	Flange Bolt	2	
3	JH 6214 07	Gear Drive Starter Clutch	1	
4	PF 6214 13	Gear Assembly Clutch Starter	1	
5	JE 6214 03	Needle Roller Bearing	1	
6	DK 1015 95	Body Complete Starter Clutch	1	
7	39 0972 04	Bolt Socket (m6x14)	3	
8	39 0849 14	Washer - Lock Toothed	3	
9	DK 1016 05	Plate Roller Clutch	1	
10	PF 3510 42	Rotor Assembly Without Clutch	1	
11	JB 3510 29	Stator Assembly	1	
12	DH 1013 80	Screw Pan Head(m6x12)	2	
13	KB BC06 08	Screw Pan Cross	1	
14	LA C000 52	Bolt Socket	2	
15	JH 5410 21	Bracket Gear Stopper	1	
16	DH 1013 80	Screw Pan Head	1	



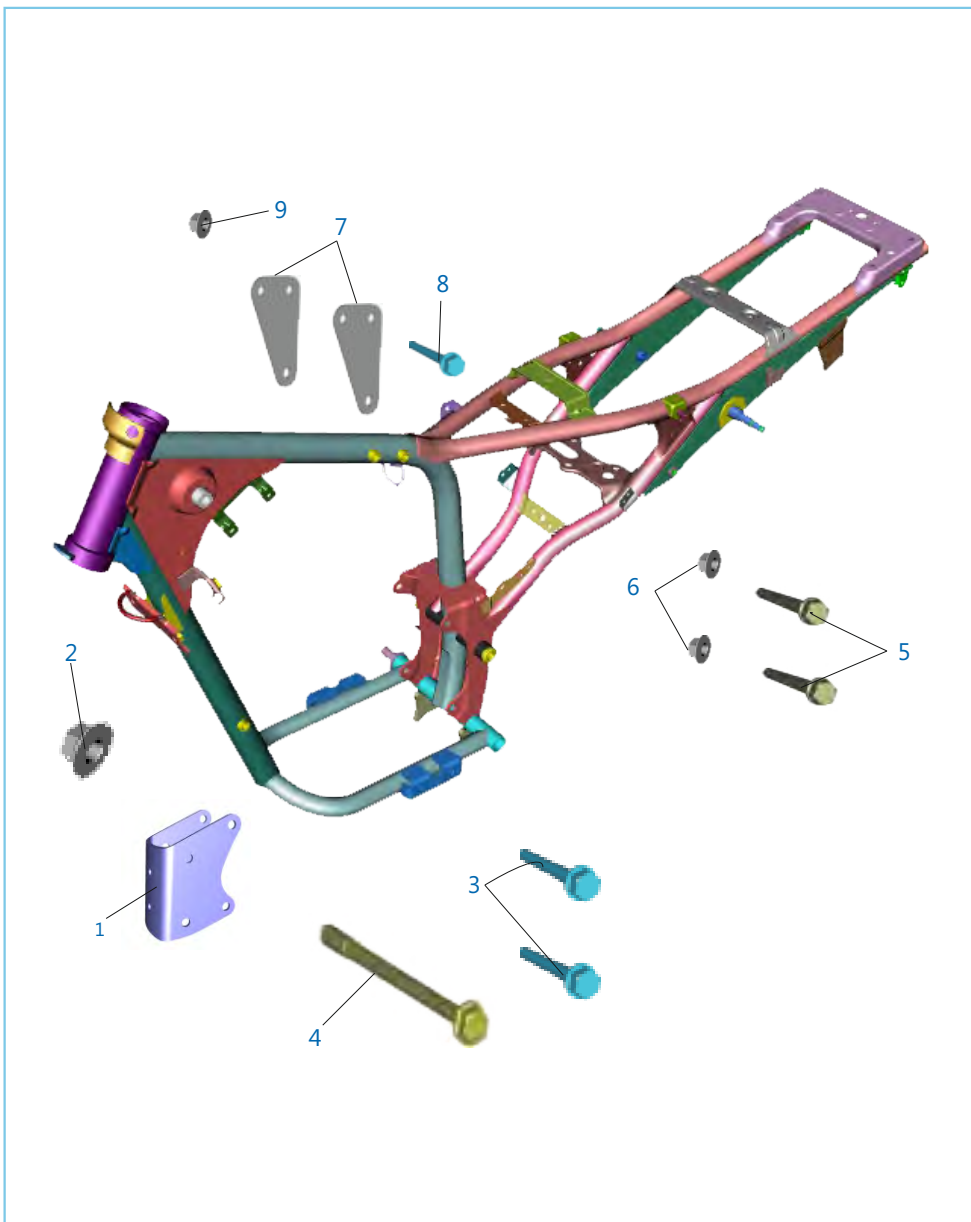
CDI / Regulator / H.T. Coil

No.	Part No.	Description	Qty.	Remarks
1	PF 3512 17	Coil HT 1 With Cable LH	1	
2	PF 3512 19	Coil HT 2 With Cable RH	1	
3	DD 1110 12	Grommet HT Coil	2	
4	DD 1110 48	Spark Plug Cap LH	1	
5	DD 1110 11	Grommet Spark Plug Cap LH	1	
6	DH 1110 15	Cap Spark Plug RH	1	
7	JD 3512 06	Grommet Sleeve Plug Cap	1	
8	DH 1110 13	Grommet Spark Plug	1	
9	KA DF06 16	Bolt Flanged	4	
10	CF 1110 19	Plug - Spark Bosch	2	
		Or		
	DD 1110 18	Plug - Spark	2	
11	PF 3512 31	CDI	1	
12	PF 4020 01	Regulator Rectifier	1	
13	KA ED06 14	Bolt Regulator Mtg	2	

Seat Assembly / Seat Lock



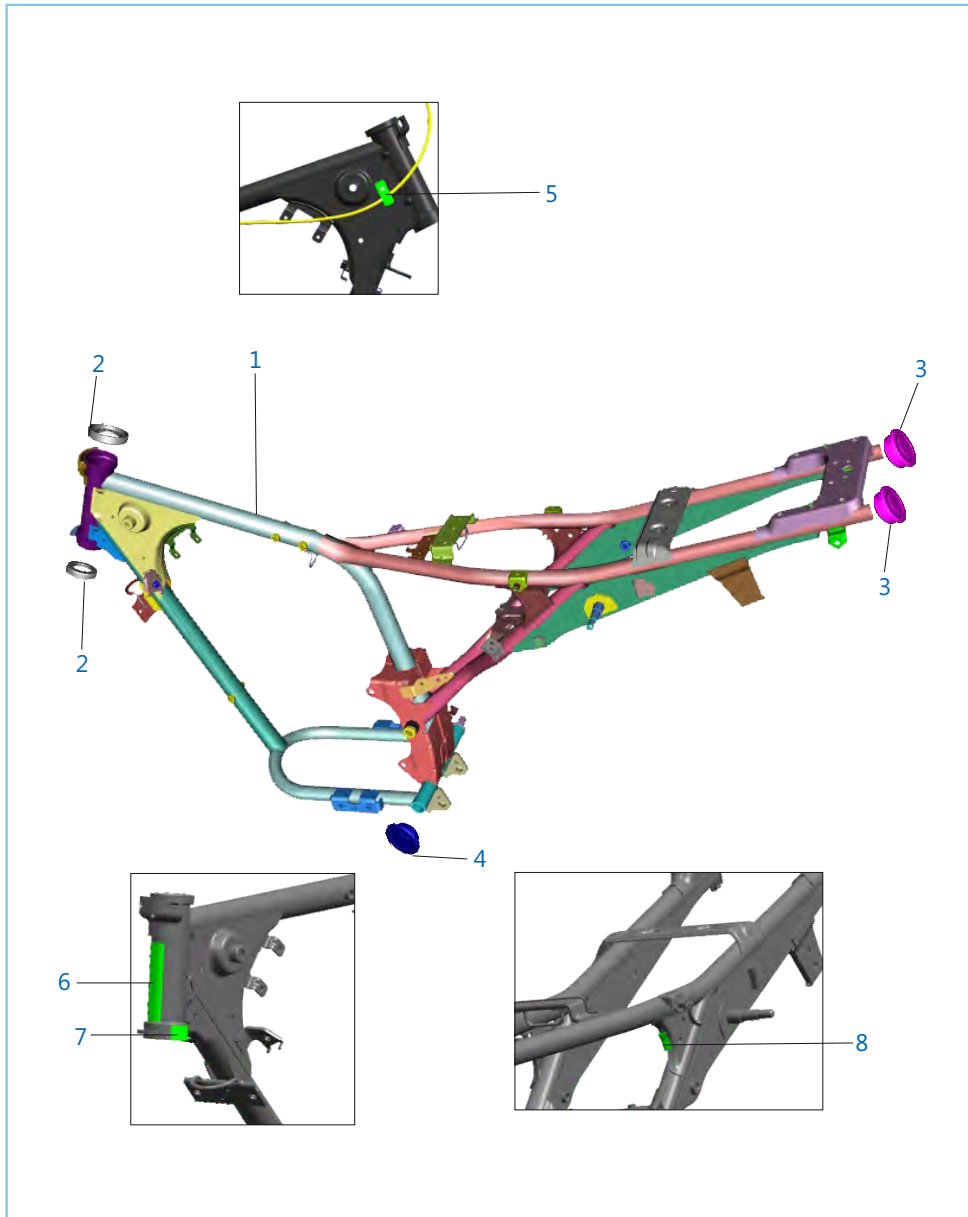
No.	Part No.	Description	Qty.	Remarks
1	PF 1910 11	Seat Assly. Comp	1	
2	PA 1612 11	Assembly Seat Lock With Cable	1	
3	39 0743 01	Screw CSK Cross M6	2	
4	DK 2110 07	Damper Seat Front	1	
5	JK 1910 05	Damper Seat	9	
6	PA 1612 07	Cable Seat Lock	1	



### Engine Mountings

No.	Part No.	Description	Qty.	Remarks
1	PF 1134 04	Bracket Engine Mtg Front	1	
2	39 0422 15	Nut Nyloc M10	3	
3	KA DD08 80	Bolt Flange	3	
4	KA DD08 85	Bolt Flanged	1	
5	JA 1134 03	Flanged Bolt M10X110	2	
6	39 1225 15	Nut Flanged M10 Olive	2	
7	JK 1134 06	Hanger Engine	2	
8	LA D000 48	Bolt Flanged	3	
9	KC Ga08 08	Hex Nut Flanged	3	

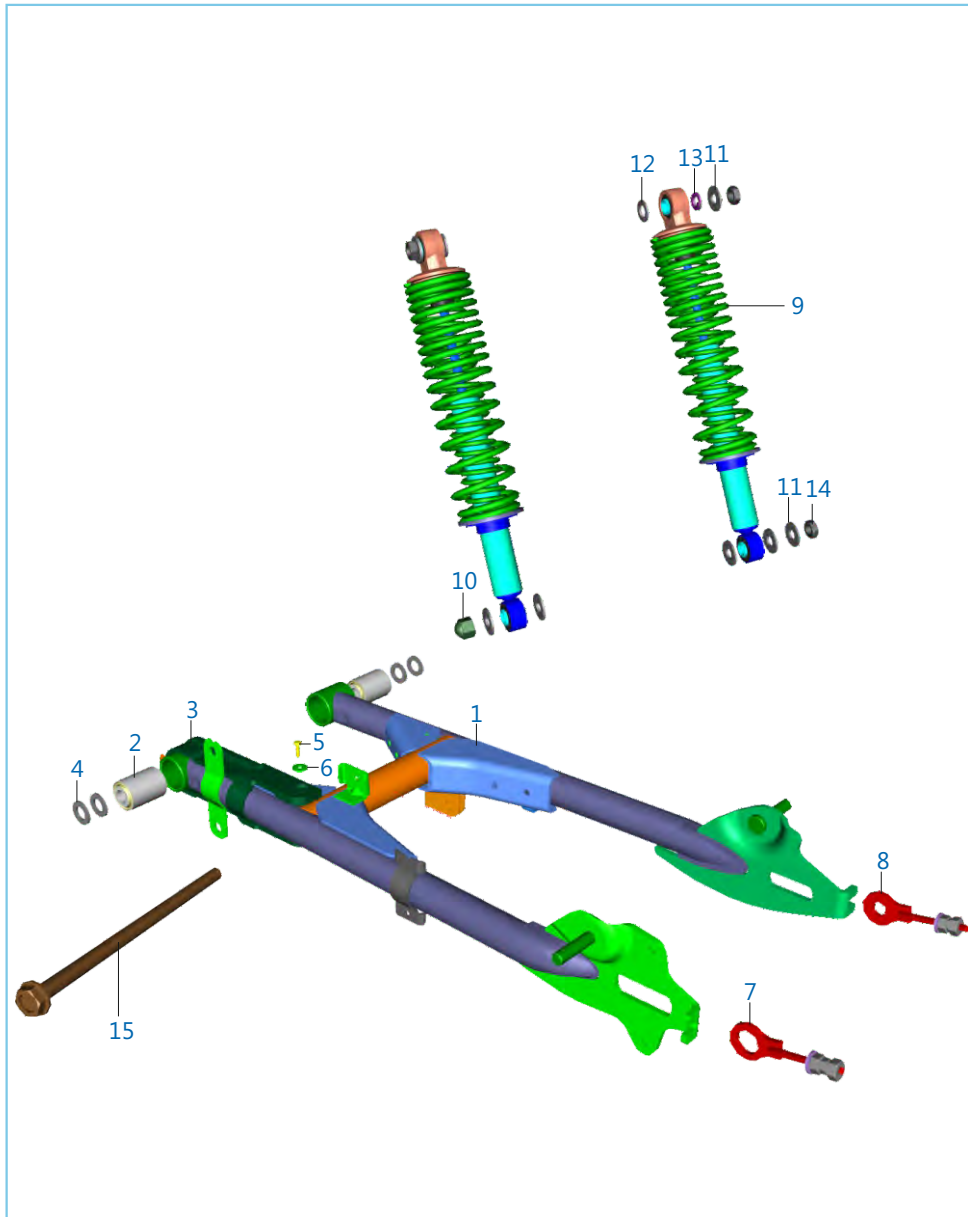
Frame and Frame Fittings



No.	Part No.	Description	Qty.	Remarks
1	JK 1110 75	Frame Assembly	1	
2	36 DZ20 08	Kit St. Cone With Grease	1	
3	PF 1110 92	Cap For Tube End	2	
4	PF 1110 96	Cap For Tube End	1	
5	DK 2010 49	Harness Clamp	1	
6	DU 1611 96	Tape- Frame	1	
7	JZ 1112 92	Tape Frame Head Pipe	1	
8	JB 1812 23	Beading Speedo Flap	1	

Plate No.: 26

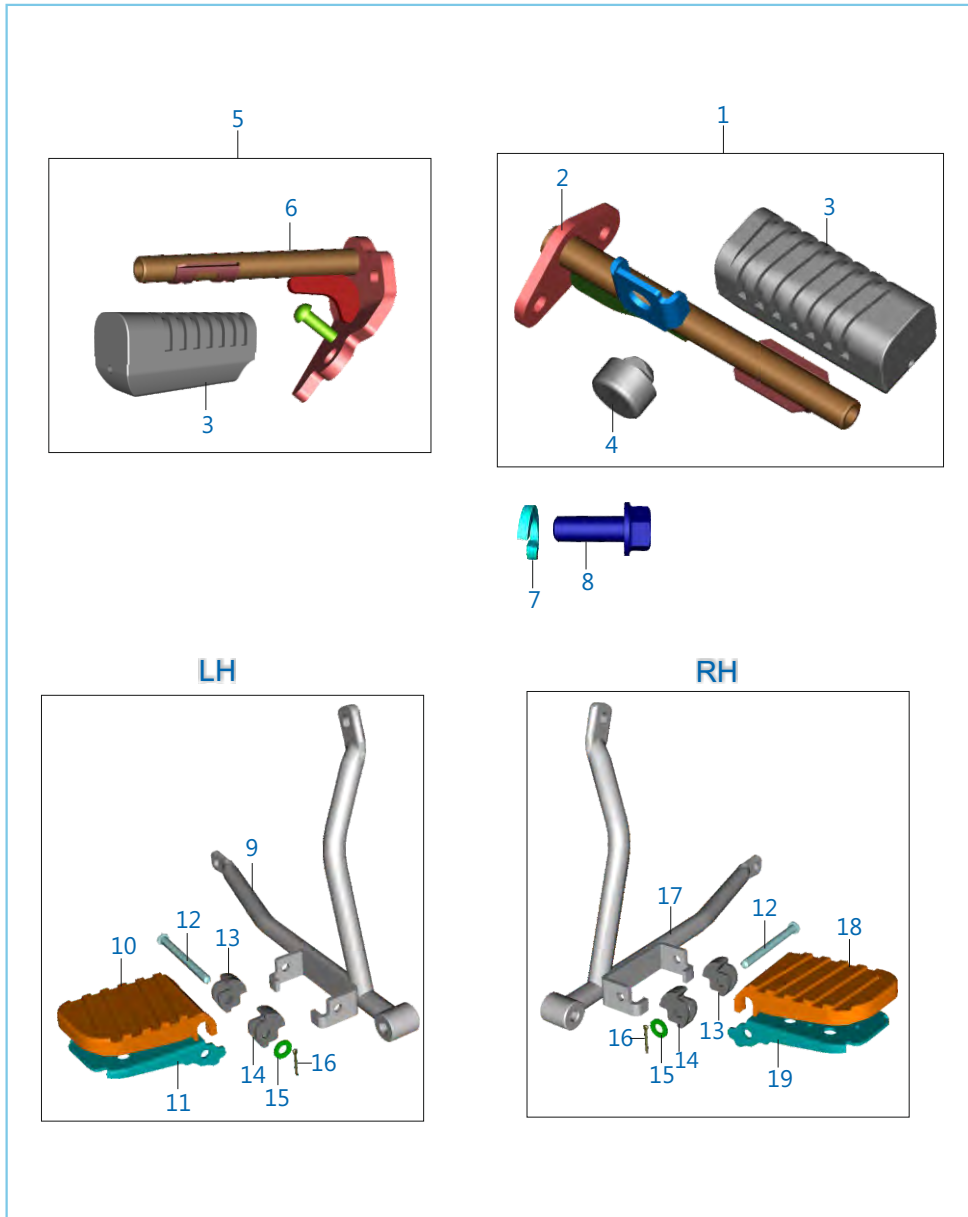
### Swing Arm / Rear Shock Absorber



No.	Part No.	Description	Qty.	Remarks
1	JK 1220 13	Arm Swing	1	
2	DP 1710 06	Bushing - Rubber	2	
3	DZ 1710 09	Chain Slider	1	
4	KD AA12 22	Plain Washer	4	
5	39 0553 02	Self Tapping Screw	2	
6	39 0454 11	Plain Washer	2	
7	JK 1220 02	Adjuster Assy. Chain - LH	1	
8	JK 1220 04	Adjuster Assy. Chain - RH	1	
9	PF 1220 25	Shock Absorber Rear	2	
10	39 2366 15	Nut Domed Cap	1	
11	DG 1710 25	Washer	6	
12	39 0781 11	Washer	2	
13	39 0789 12	Spring Washer	4	
14	39 1336 15	Nut(w/o Plating)	3	
15	JA 1210 03	Shaft Swing Arm	1	

Plate No.: 27

Rider / Pillion Foot Rest

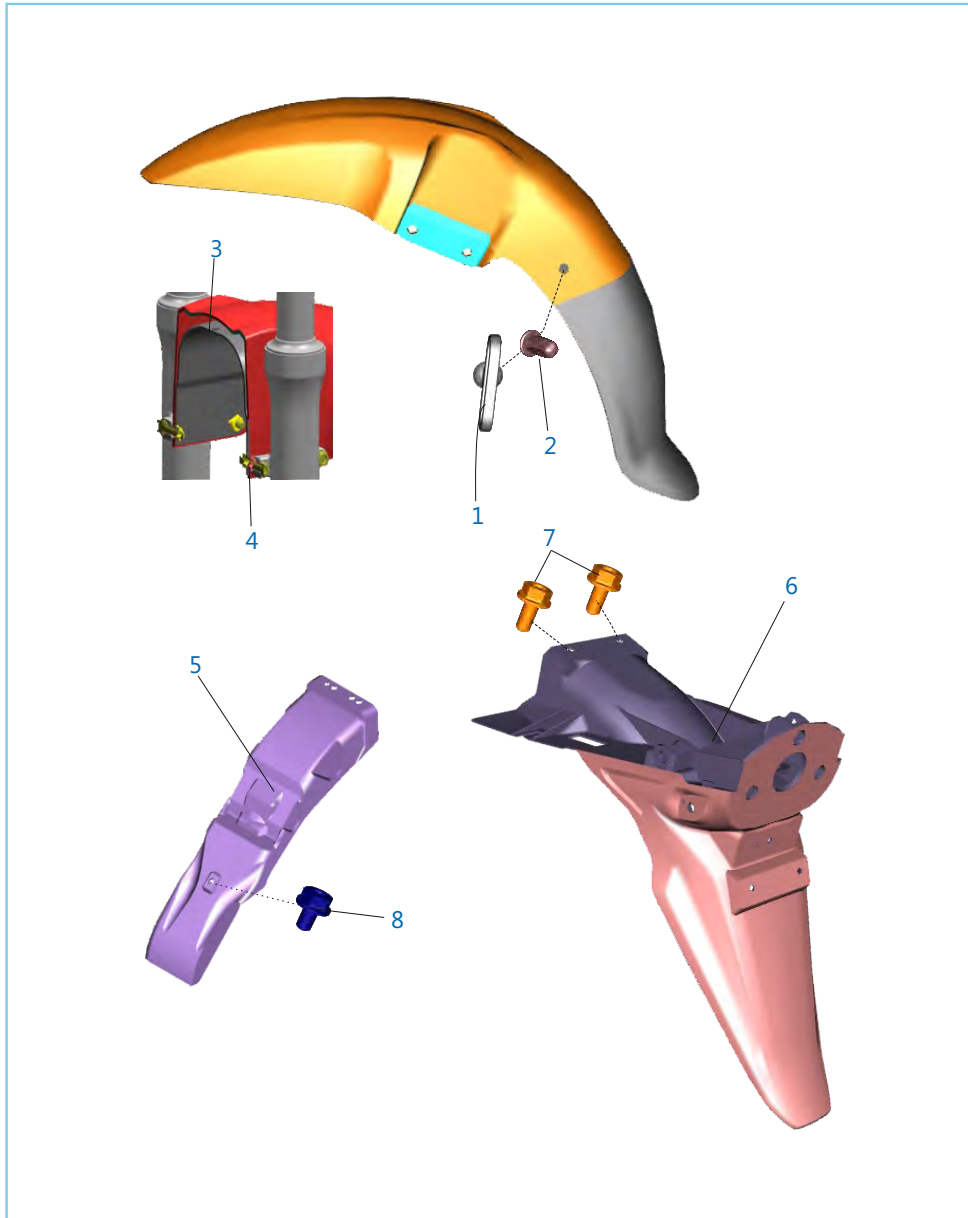


No.	Part No.	Description	Qty.	Remarks
1	JK 1130 16	Step Assembly Rider RH	1	
2	JK 1130 17	Step Rider RH	1	
3	PF 1130 28	Damper Rider Footrest	2	
4	DG 1612 24	Damper	1	
5	JK 1130 14	Step Assembly Rider LH	1	
6	JK 1130 15	Step Rider LH	1	
7	KD CB08 16	Washer Spring	2	
8	KA DD08 20	Bolt Flanged	4	
9	PF 1130 37	Stay Pillion LH	1	
10	PF 1130 32	Footrest Pillion LH	1	
11	PF 1130 44	Plate Pillion Footrest LH	1	
12	PF 1130 36	Pin Pillion Footrest	2	
13	PF 1130 46	Damper Hinge 1	2	
14	PF 1130 47	Damper Hinge 2	2	
15	GL 1810 99	Washer Nylon	2	
16	39 0784 08	Pin- Split	2	
17	PF 1130 38	Stay Pillion RH	1	
18	PF 1130 33	Footrest Pillion RH	1	
19	PF 1130 45	Plate Pillion Footrest RH	1	



Plate No.: 28

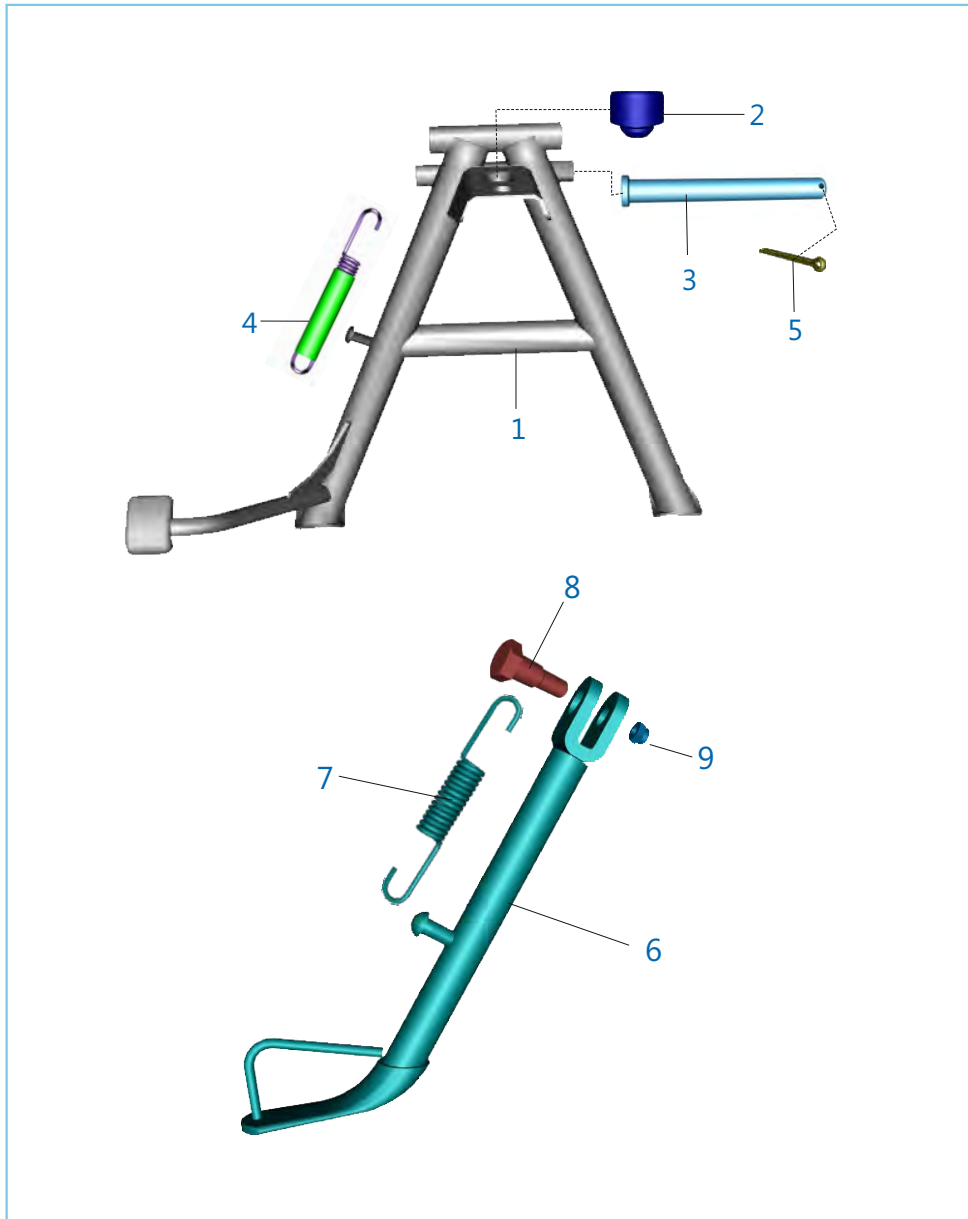
Fitting Fender Front & Rear



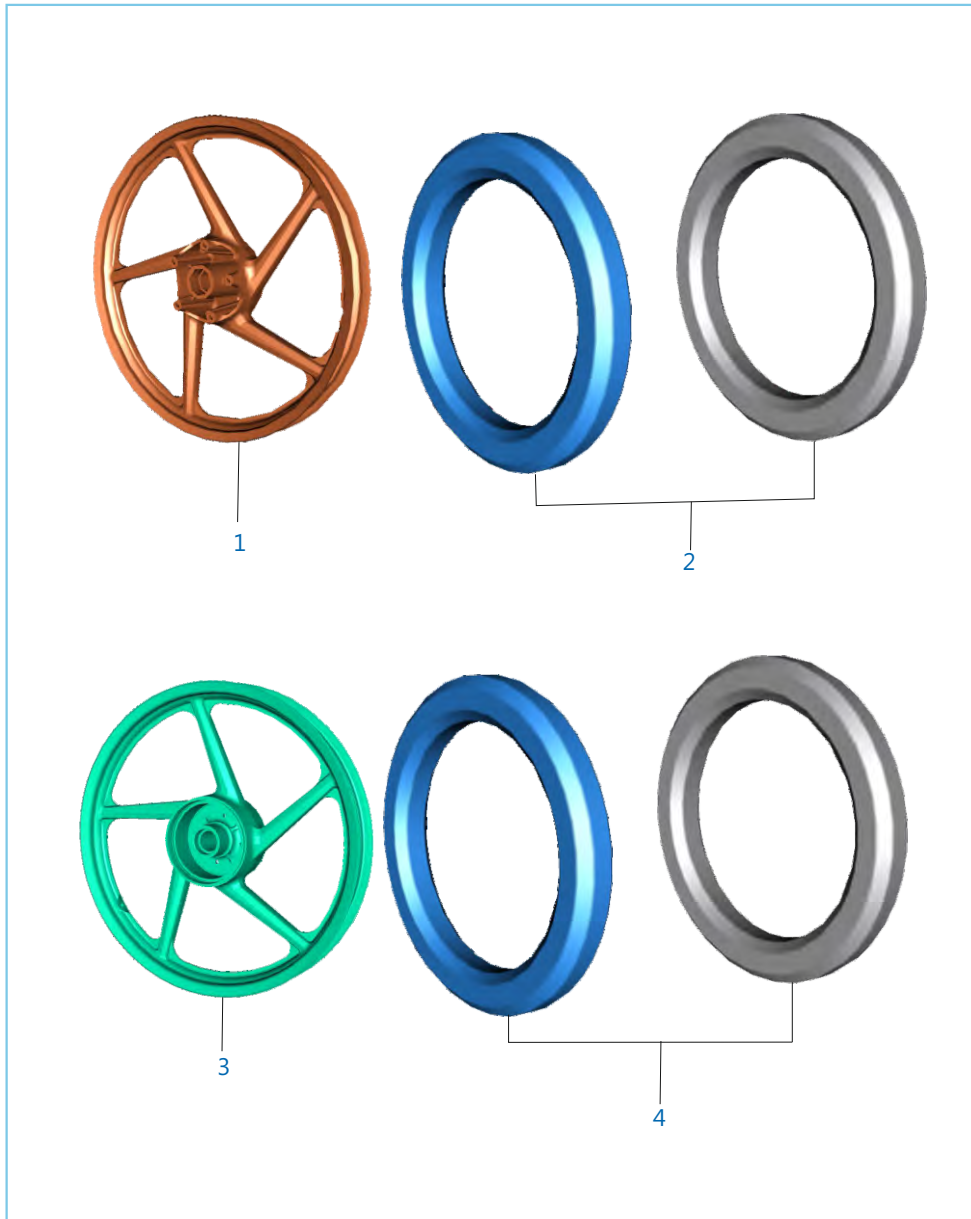
No.	Part No.	Description	Qty.	Remarks
1	DS 1611 25	Cable Guide	1	
2	DJ 1610 69	Nail Cable Guide	1	
3	PF 1814 23	Brace Fender Front	1	
4	KA DF06 25	Bolt Flanged	1	
5	PF 1814 29	Fender Rear Front	1	
6	PF 1814 22	Fender Rear Rear	1	
7	KA DF06 14	Bolt Flanged	2	
8	KA DF06 10	Bolt Flanged	1	
9	DS 1612 24	Bolt Stepped With Flange	2	
10	DJ 2011 73	Grommet For Cables- Rear Fender	2	N.I.

Plate No.: 29

Stand Assembly

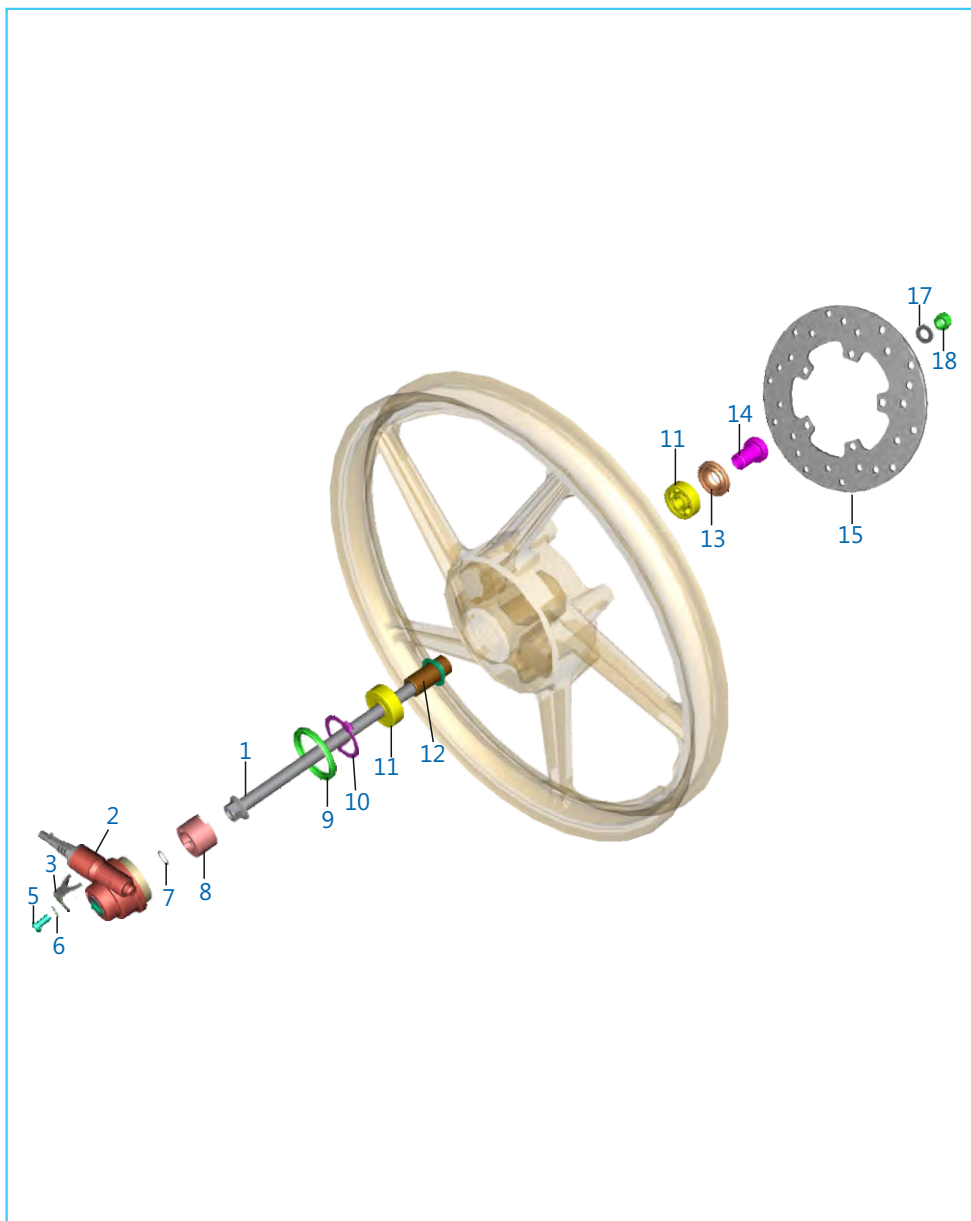


No.	Part No.	Description	Qty.	Remarks
1	PF 1132 06	Stand Center	1	
2	DG 1611 24	Damper Center Stand	1	
3	30 1611 57	Shaft Center Stand	1	
4	JZ 1132 09	Spring M Stand With Cover	1	
5	KH AA32 35	Pin Cotter	1	
6	JA 1132 02	Side Stand	1	
7	DH 1610 66	Spring Side Stand	1	
8	DF 1611 02	Bolt	1	
9	39 0422 15	Nut Nyloc M10	1	



Tube / Tyre / Rim

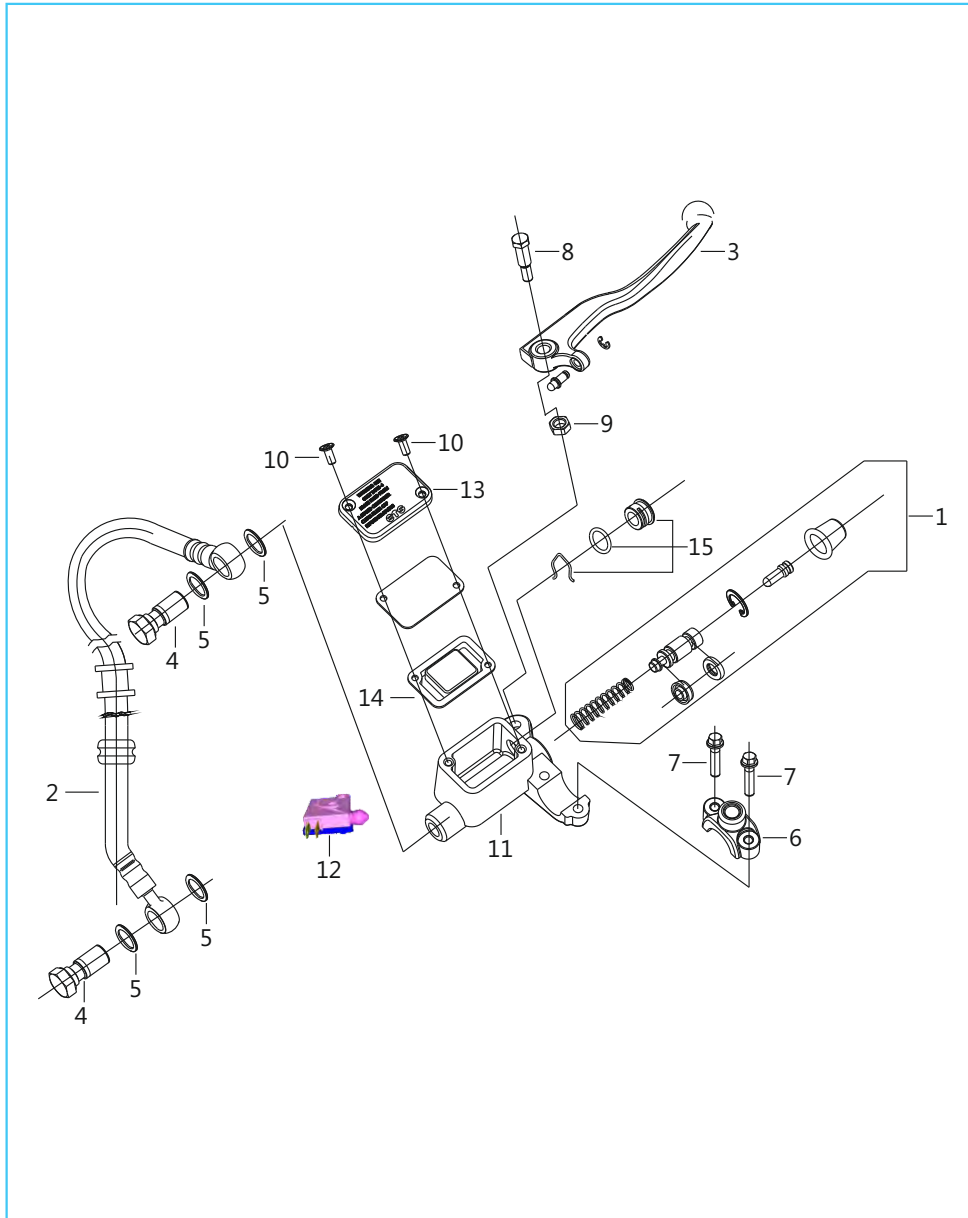
No.	Part No.	Description	Qty.	Remarks
1	JK 1310 30	Wheel Front 1.4x17 Disc	1	
2	JK 1310 39	Assembly Tyre - Tube 2.75-17	1	
3	DU 1510 34	Wheel Rear 1.6x17-110 Dr Silver	1	
4	JK 1312 16	Assembly Tyre - Tube 3-17	1	



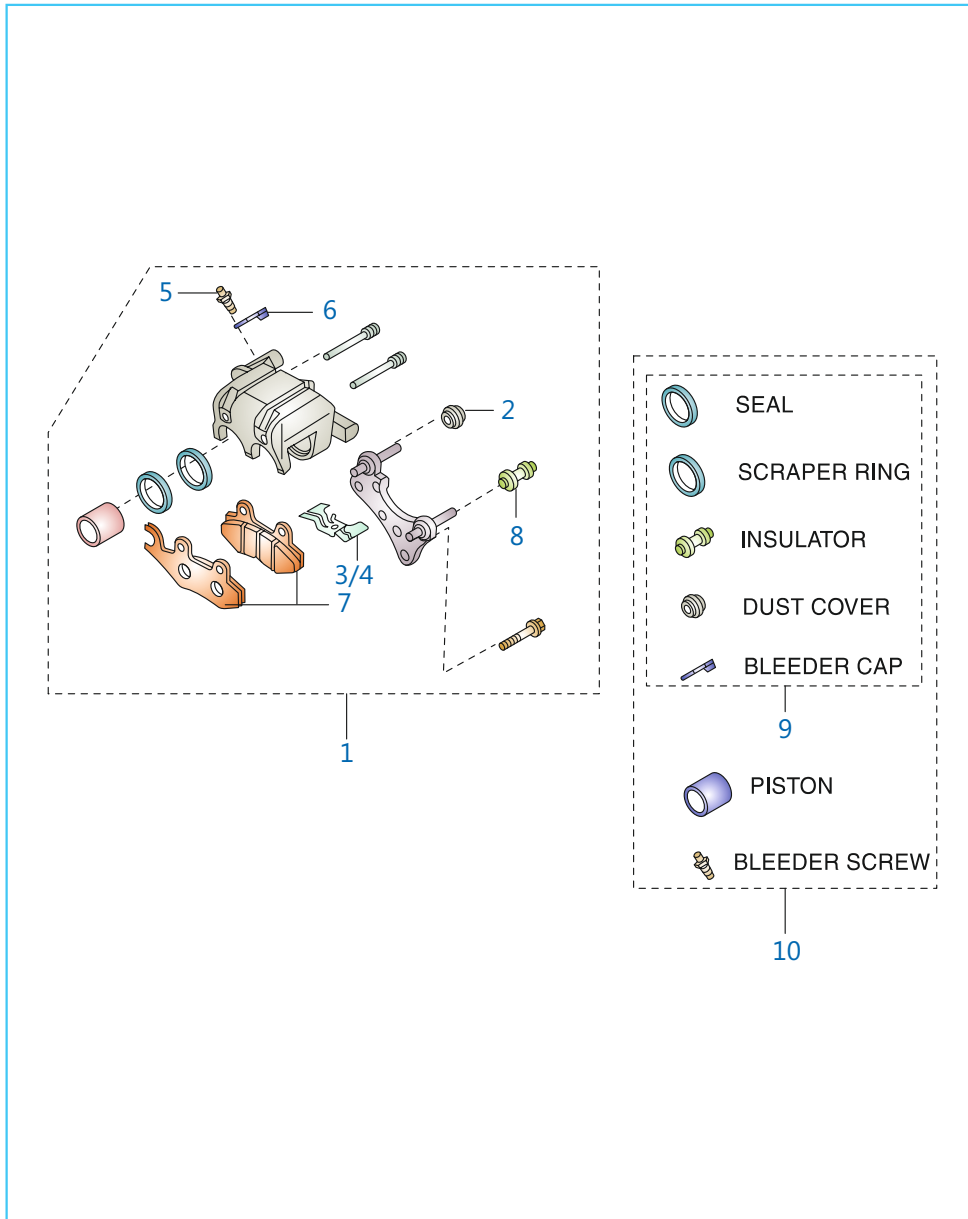
## Front Hub

No.	Part No.	Description	Qty.	Remarks
1	JK 1310 15	Axle Front	1	
2	JK 1310 31	Case-assy Meter Gear	1	
3	JK 1310 16	Stopper For Bushing	1	
4	JA 1316 06	Bushing	1	
5	JK 1310 18	Screw Pan Cross	1	
6	39 0900 12	Washer Spring	1	
7	39 1013 21	'O' Ring	1	
8	DS 1510 38	Speedometer Gear 21t	1	
9	DE 1510 08	Seal Oil	1	
10	DE 1510 12	Plate Drive	1	
11	KP BB63 01	Bearing Ball	2	
12	DE 1510 06	Spacer Assembly	1	
13	30 1510 33	Seal Oil	1	
14	DZ 1510 37	Spacer	1	
15	JW 1318 06	Disc (240 mm Dia)	1	
16	LA C000 02	Hex. Soc. Head Bolt	5	N.I.
17	39 0781 11	Plain Washer	1	
18	59 1500 03	'U' Nut M12	1	

## Front Master Cylinder

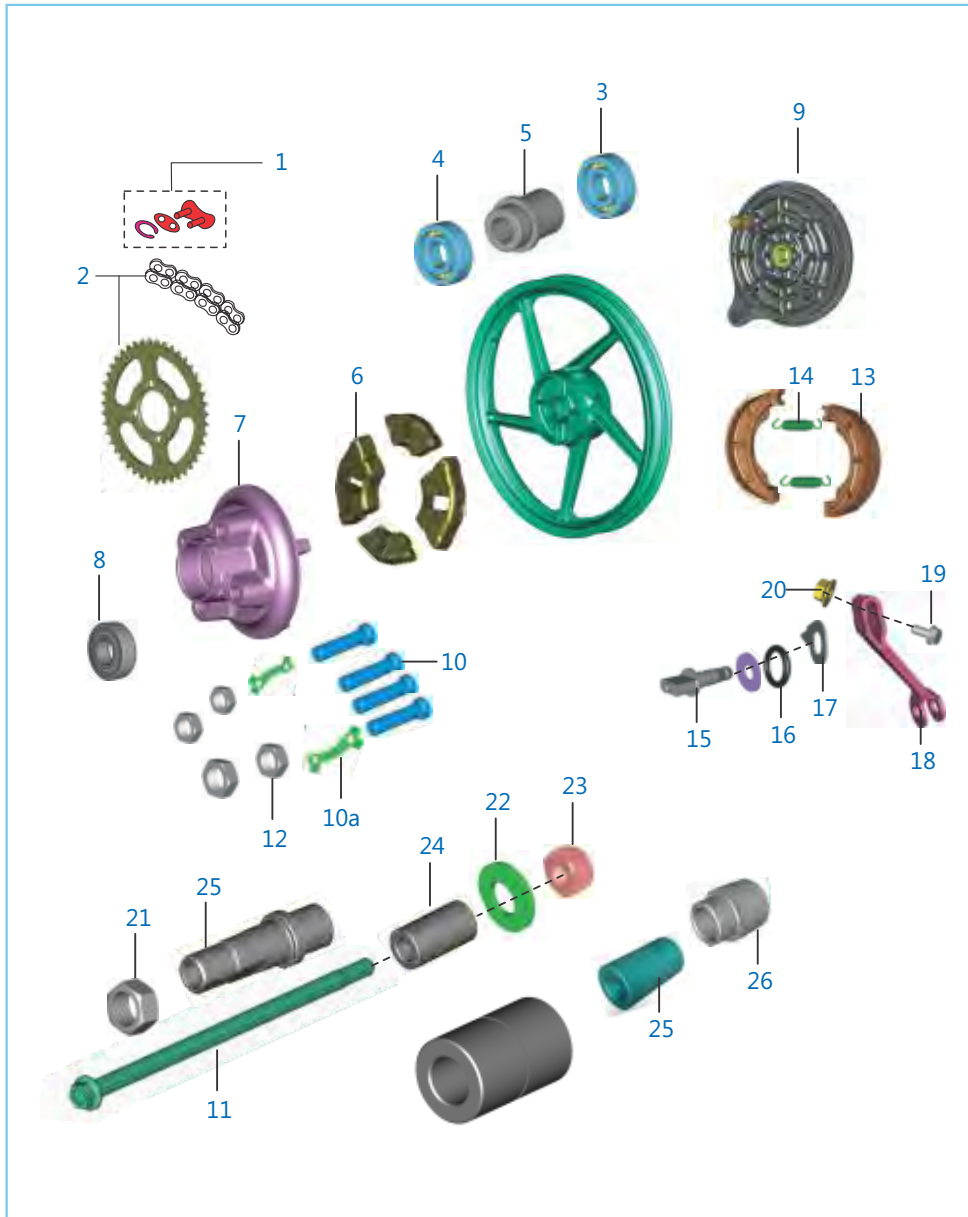


No.	Part No.	Description	Qty.	Remarks
1	DE 1910 43	Major Kit - Master Cylinder	1	
2	36 JK01 02	Kit Brake Hose	1	
3	DJ 1910 57	Lever Grip RH	1	
4	DJ 1910 25	Banjo Bolt	2	
5	DJ 1910 26	Washer Copper	4	
6	DE 1910 33	Clamp Holder RH	1	
7	DJ 1910 28	Bolt	2	
8	DJ 1910 29	Bolt Front Brake Lever	1	
9	DJ 1910 30	Nut Flanged	1	
10	DE 1910 30	Screw	2	
11	DJ 1910 56	Cylinder Master	1	
12	DJ 2011 09	Front Brake Switch	1	
13	DE 1910 29	Reservoir Cover	1	
14	DE 1910 28	Diaphragm	1	
15	DE 1910 36	Oil Window Kit	1	



### Front Disc Brake

No.	Part No.	Description	Qty.	Remarks
1	JH 1318 35	Caliper Assly. Front	1	
2	DE 1510 45	Dust cover	1	
3	DE 1510 48	Spring Pad	1	
4	36 PD00 43	Kit Caliper Assembly Pad Spring	1	
5	DE 1510 46	Bleeder Screw	1	
6	DE 1510 47	Bleeder Cap	1	
7	JW 1318 07	Disc Pad Set	1	
8	DE 1510 43	Insulator	1	
9	36 DJ40 32	Minor Kit - Caliper	1	
10	36 DJ40 33	Major Kit - Caliper	1	

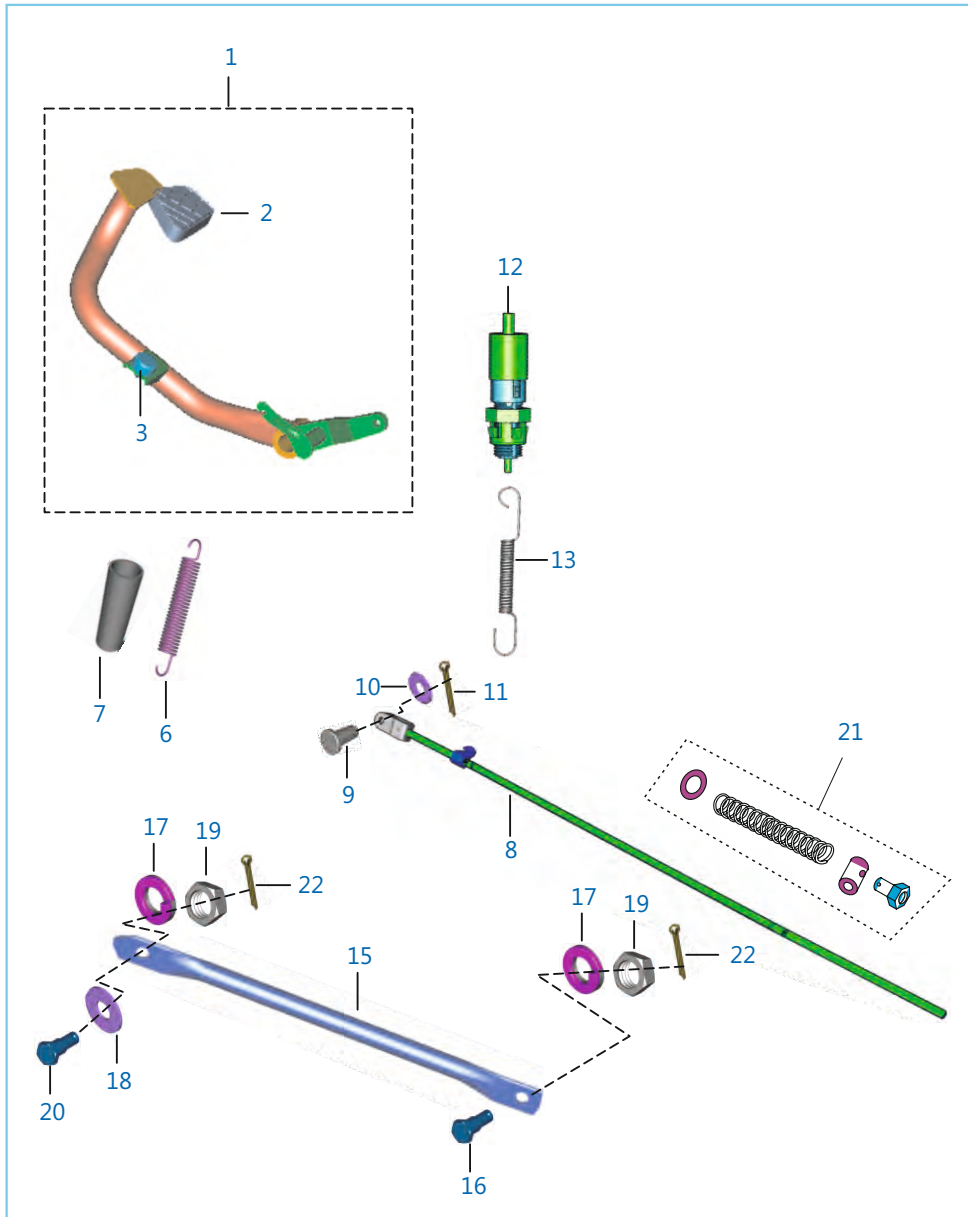


### Rear Hub

No.	Part No.	Description	Qty.	Remarks
1	PA 1410 11	Chain 120 Link - 420 Series	1	
2	36 JK00 67	Kit Chain Sprocket	1	
3	KP BB62 01	Bearing-Ball-c3 Clearance	1	
4	KP BB63 01	Bearing ball C3 Clearance	1	
5	31 1510 18	Caller-Bearing	1	
6	PA 1312 63	Damper Coupling- Nr+pbr	4	
7	PA 1312 08	Coupling	1	
8	KP BC60 04	Ball Bearing	1	
9	JA 1312 05	Panel Rear Brake	1	
10	DX 1510 10	D Bolt	4	
10a	31 1510 29	Washer	2	
11	PF 1312 35	Axel Rear	1	
12	39 0794 15	Nut U Flange	4	
13	JB 1318 04	Brake Shoe Kit (Non Asbestos)	2	
14	30 1510 69	Spring	2	
15	JB 1312 23	Cam Brake Assly.	1	
16	30 1510 38	'O' Ring	1	
17	30 1510 05	Wear Indicator	1	
18	31 1510 37	Lever Cam Brake	1	
19	39 1074 04	Hex Bolt with Flange	1	
20	39 0798 15	Flange Nut	1	
21	39 0988 15	Hex Nut M18X1.5P	1	
22	39 0714 11	Washer Plain	1	
23	59 1500 03	Nut- U M12	1	
24	JK 1312 19	Spacer	1	
25	PF 1312 36	Sleeve Coupling	1	
26	JK 1312 18	Collar	1	



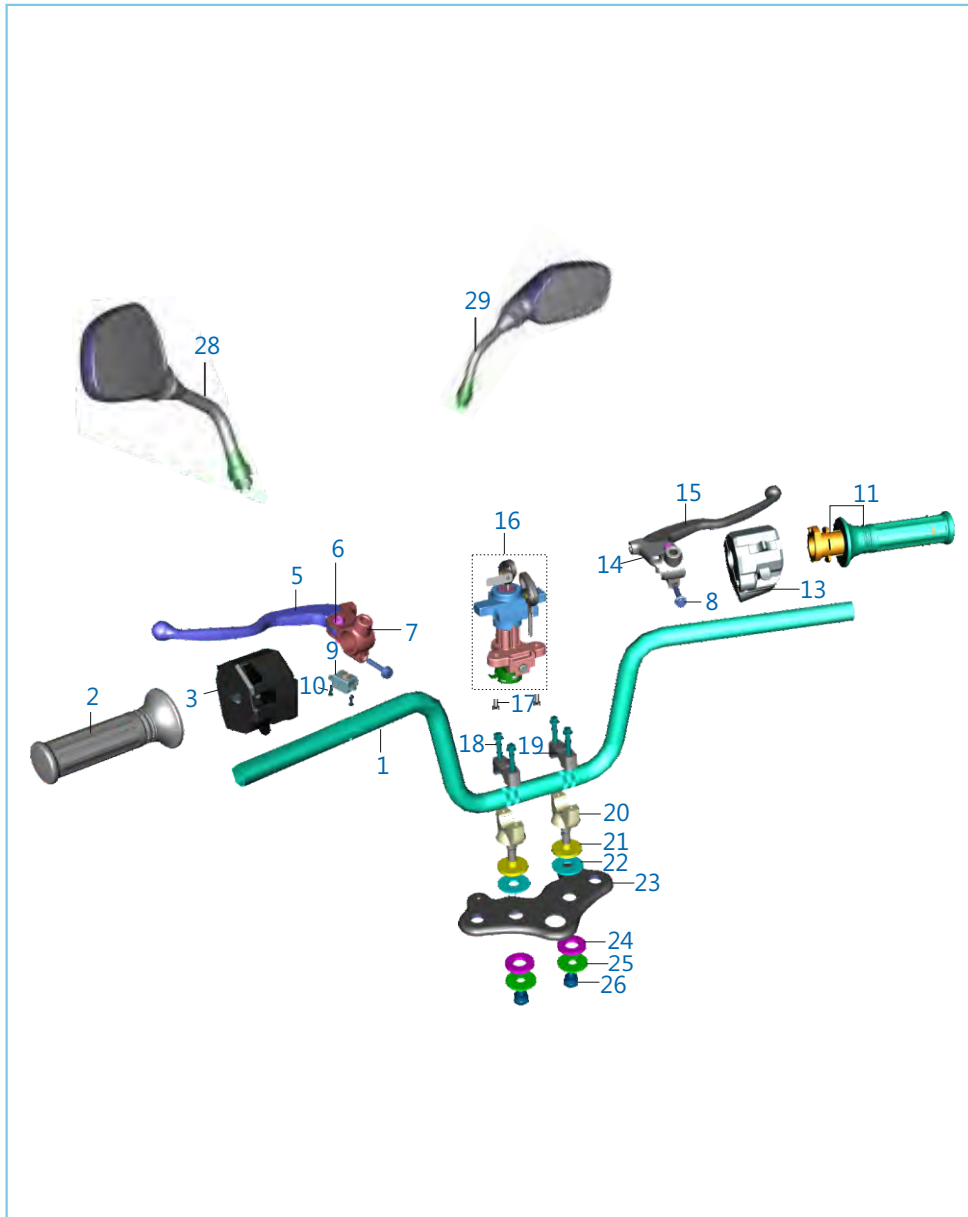
Brake Pedal



No.	Part No.	Description	Qty.	Remarks
1	PA 1610 06	Assly Brake Pedal	1	
2	JZ 1610 19	Pad Brake Pedal	1	
3	DD 1610 78	Damper	1	
6	JD 1610 02	Spring Brake Pedal	1	
7	JD 1610 06	Sleeve Brake Return Spring	1	
8	PF 1610 06	Brake Rod	1	
9	JB 1610 02	Pin Brake Rod	1	
10	39 0198 11	Washer - Plain	1	
11	39 0808 08	Pin - Split	1	
12	31 2010 79	Rear Brake Switch	1	
13	PA 1610 04	Spring Brake Switch	1	
15	PF 1220 19	Rod - Torque	1	
16	DH 1510 29	Bolt - Step :- Torque Rod	1	
17	39 0789 12	Washer - Spring	2	
18	39 1540 11	Washer - Plain	1	
19	39 069415	Nut - Hexagon Lock	2	
20	30 1510 96	Bolt - Hexagon	1	
21	36 DK00 17	Kit Hardware Br Rod	1	
22	39 0807 08	Pin - Split	2	

Plate No.: 36

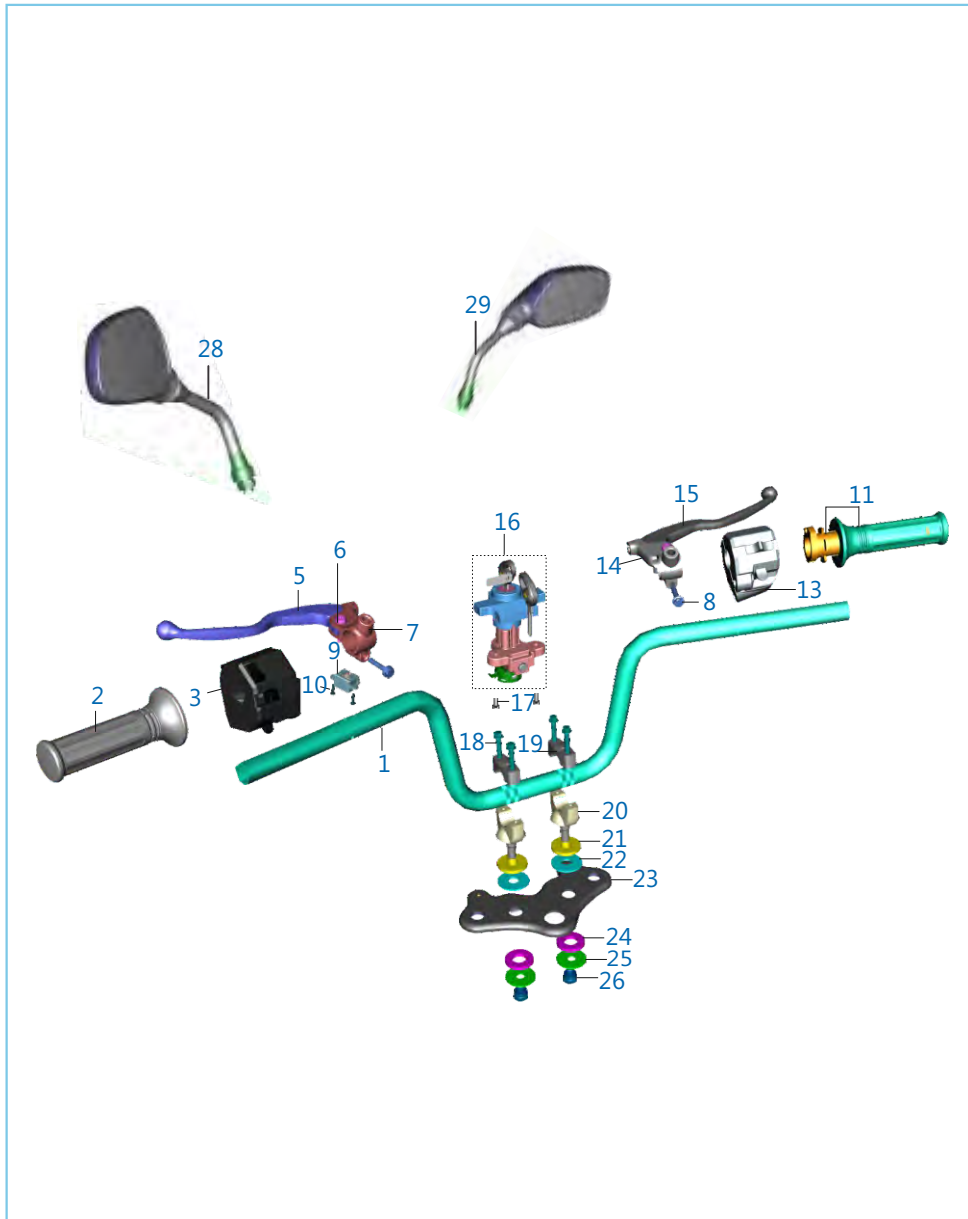
### Handle Bar Assembly



No.	Part No.	Description	Qty.	Remarks
1	PF 1510 15	Handle Bar	1	
2	PF 1610 05	Hand Grip LH	1	
3	JB 4014 00	Control Switch LH	1	
4	PF 1610 09	Assly Lever Holder LH	1	
5	PF 1610 15	Lever Clutch	1	
6	JZ 1610 28	Lever Pivot Bolt	2	
7	PF 1610 10	Holder Lever LH	1	
8	39 1553 04	Bolt Flange M6	2	
9	JZ 4014 03	Clutch Switch	1	
10	LB U000 12	Screw	2	
11	PF 1610 07	Grip Assly RH	1	
12	DJ 2011 09	Switch Brake	1	
13	PF 4014 17	Control Switch RH	1	
14	DJ 1910 56	Cylinder Master-micro Sw-kbx	1	
15	DJ 1910 57	Lever Front Brake-micro Sw-kbx	1	
16	JK 2326 03	Set Lock	1	
17	39 1902 04	Bolt Flange	2	
18	39 1074 04	Bolt Flanged	4	
19	FD 1810 30	Holder Handle Upper	2	
20	FD 1810 31	Holder Assly Handle Lower	2	
21	DF 1810 91	Damper Handle Holder Upper	2	
22	FD 1810 19	Washer Plain	2	
23	PF 1210 79	Bracket Holder Fork Upper	1	
24	DF 1810 92	Damper Handle Lower	2	
25	FD 1810 19	Washer Plain	2	

Plate No.: 36

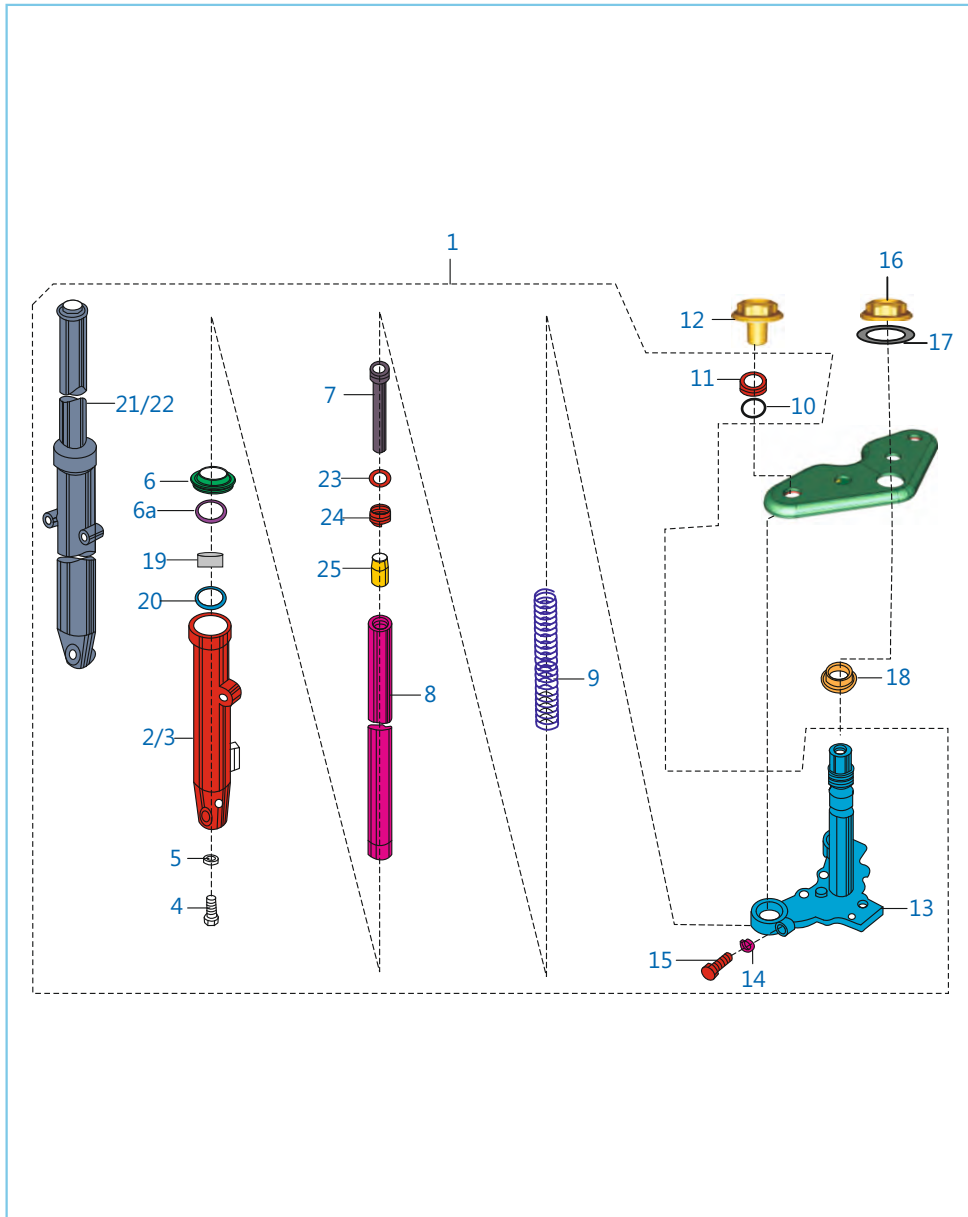
### Handle Bar Assembly



No.	Part No.	Description		Remarks
26	39 2249 15	Nut Nyloc M10	2	
27	JD 4022 17	Band	2	N.I
28	JZ 2316 00	Mirror Assy. LH	1	
29	JZ 2316 01	Mirror Assy. RH	1	

Plate No.: 37

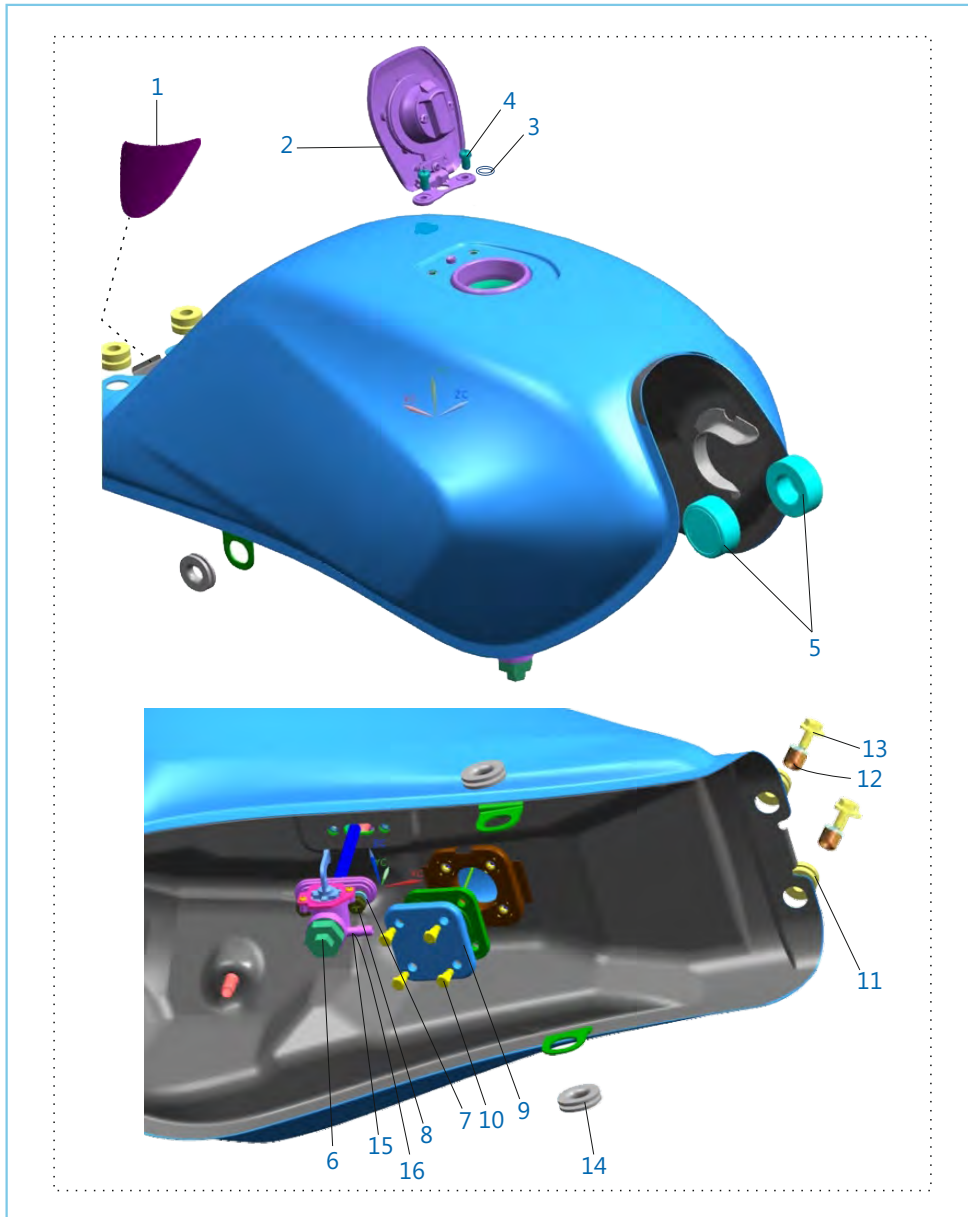
Front Fork



No.	Part No.	Description	Qty.	Remarks
1	JK 1210 26	Front Fork	1	
2	JK 1210 29	Outer Pipe LH	1	
3	JK 1210 31	Outer Pipe RH	1	
4	KA CF08 30	Socket Head Bolt	2	
5	30 1810 26	Gasket	2	
6	DD 1810 32	Seal Dust	2	
6a	DU 1811 08	Seal Oil	2	
7	PF 1210 82	Seat Pipe	2	
8	PF 1211 01	Tube Inner	2	
9	PF 1210 74	Spring Inner	2	
10	30 1810 29	'O' Ring	2	
11	DS 1810 12	Bolt Fork	2	
12	59 0400 06	Hex Bolt	2	
13	PF 1210 76	Assembly Under Bracket	1	
14	39 0789 12	Washer Spring	2	
15	39 1181 01	Bolt Hexagon Head M8X40	2	
16	DS 1810 15	Cap Nut Fork	1	
17	DS 1810 16	Plain Washer	1	
18	30 1810 09	Bearing Cone (fork)	1	
19	JK 1210 07	Guide Bush	2	
20	JK 1210 09	Washer Guide Bush	2	
21	JK 1210 28	Leg Assembly LH	1	
22	JK 1210 30	Leg Assembly RH	1	
23	30 1810 20	Piston ring	1	
24	31 1810 99	Spring - Front Fork	1	
25	JZ 1210 13	Cap Oil Lock	1	

Plate No.: 38

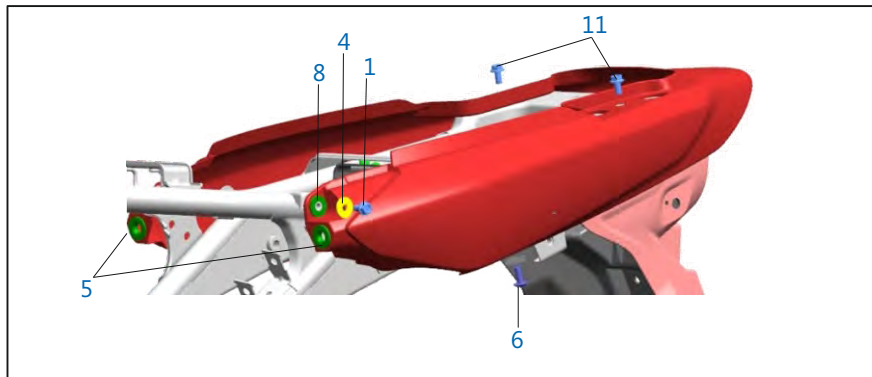
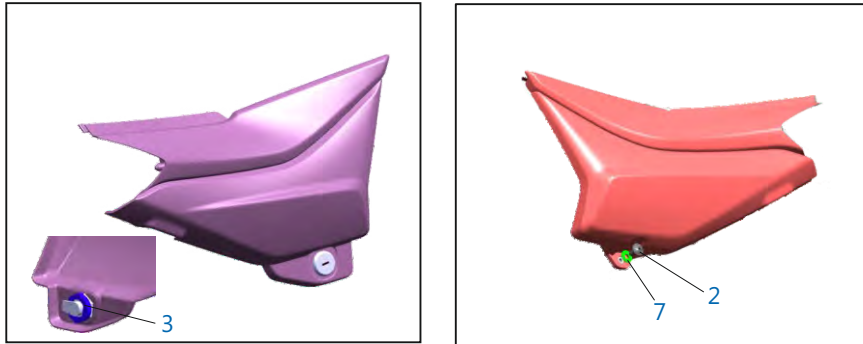
Cap Petrol Tank and Gauge Fuel

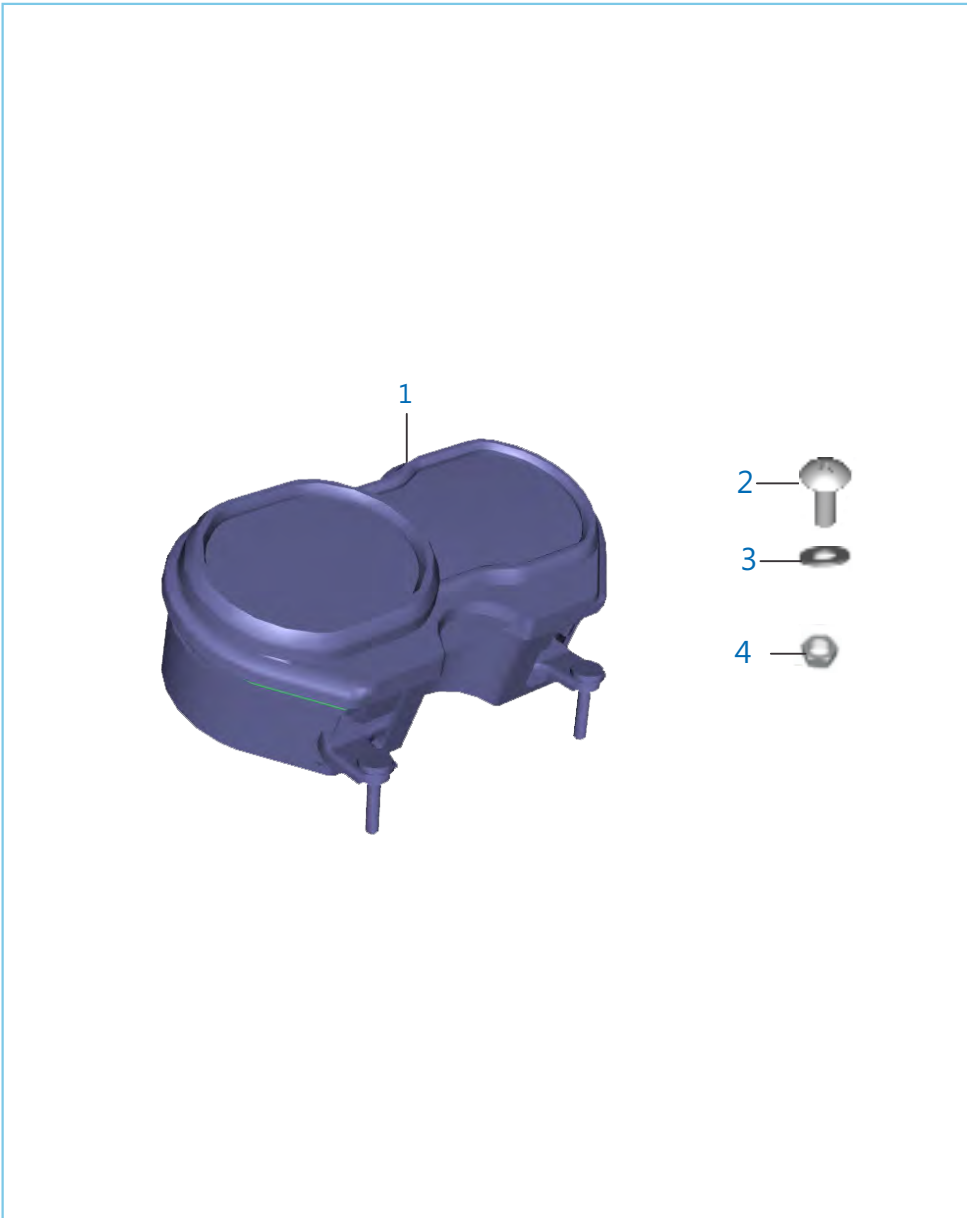


No.	Part No.	Description	Qty.	Remarks
1	DP 1410 20	Pad Seatlab	1	
2	DS 1410 09	Cap Fuel Tank	1	
3	39 2179 24	Washer	2	
4	AP 1012 55	Screw Pan	2	
5	DF 1411 28	Damper Fuel Tank Mtg.	2	
6	DZ 1410 40	Fuel Cock Assly.	1	
7	39 0740 11	Washer Non Metallic	2	
8	DD 1412 27	Bolt-Flanged	2	
9	DZ 2010 19	Tank Unit (octagonal Flange)	1	
10	39 2484 15	Nut - Flange :- M5	4	
11	DG 1410 19	Damper	2	
12	30 2110 05	Collar	2	
13	KA DF06 25	Bolt Flanged	2	
14	DG 1611 18	Grommet	2	
15	JZ 1718 29	Pipe Fuel	1	
16	33 1410 08	Clamp	1	

Fittings - Side Covers & Cover Seat

No.	Part No.	Description	Qty.	Remarks
1	KA DF06 12	Bolt Flanged	4	
2	DG 1611 21	Screw	1	
3	DU 1611 02	Damper	1	
4	39 1211 11	Plain Washer	2	
5	DT 1812 65	Grommet(For Side Cover Mtg)	2	
6	DU 1611 19	Screw Truss	2	
7	39 1789 24	Washer Nylon	1	
8	JL 1812 19	Grommet	2	

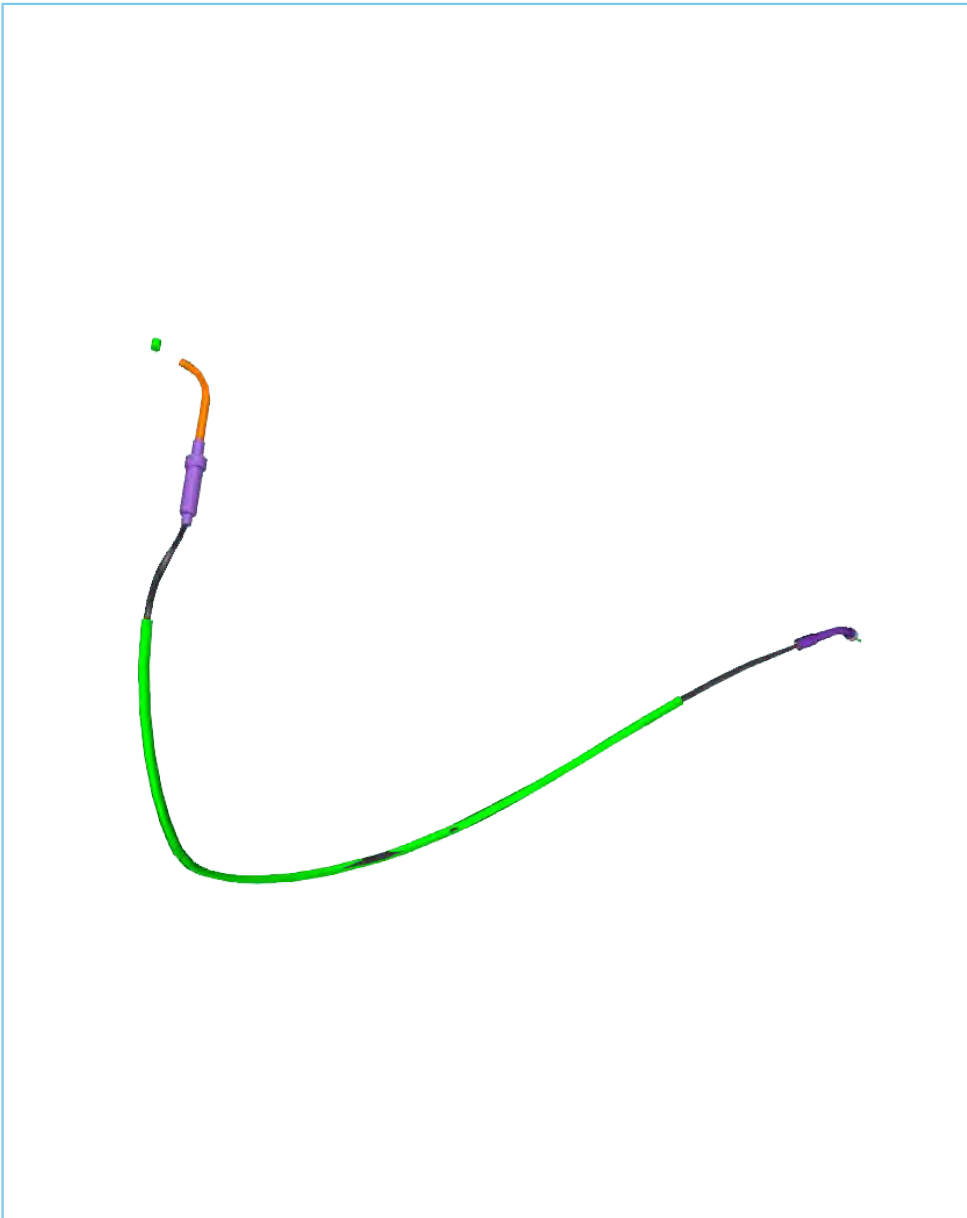




### Speedo Meter Assembly

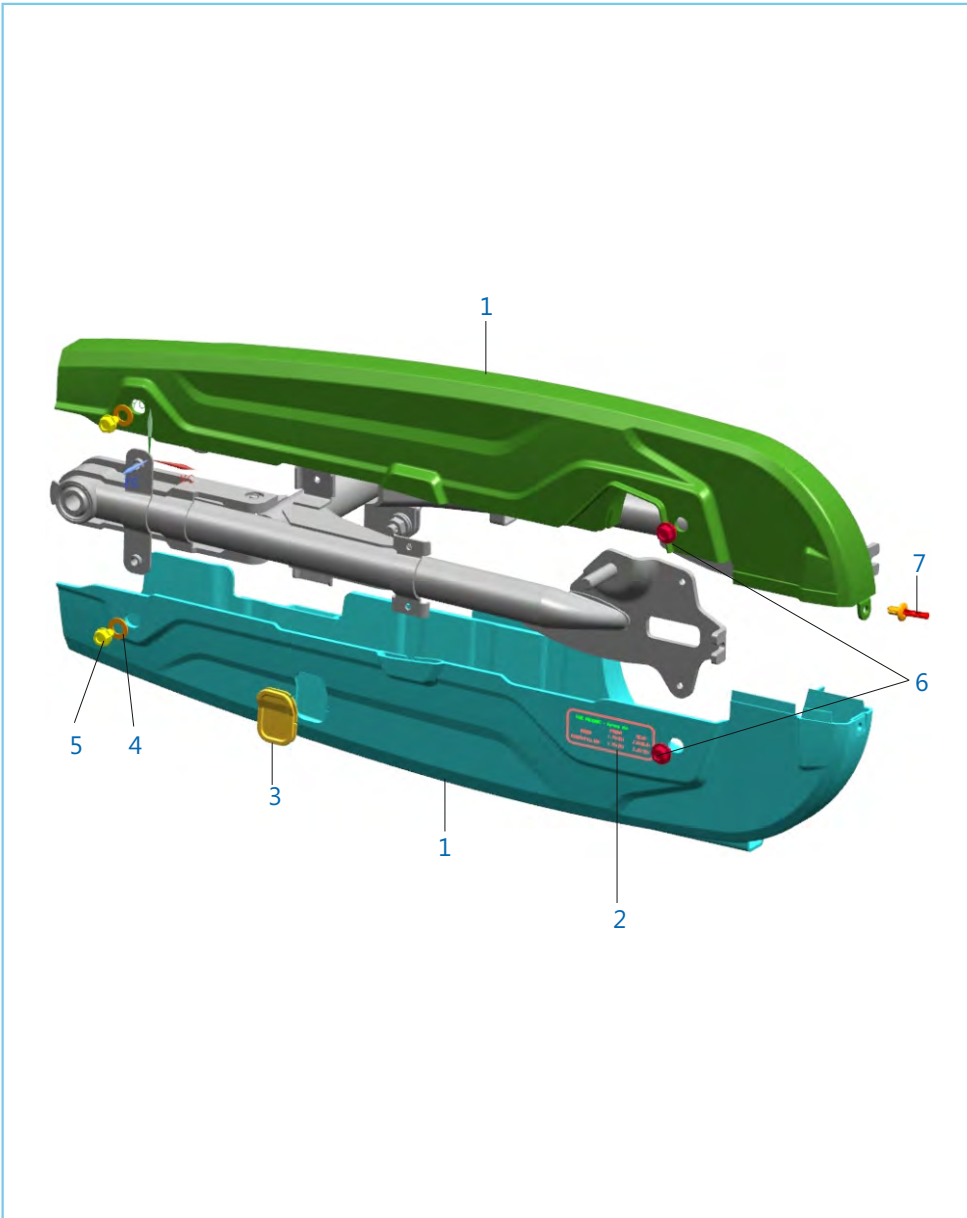
No.	Part No.	Description	Qty.	Remarks
1	JK 4024 11	Speedometer	1	
2	KB UA06 16	Screw Truss	3	
3	KD BA06 13	Washer Plain	3	
4	KC GA06 06	Nut Hex Flanged	2	





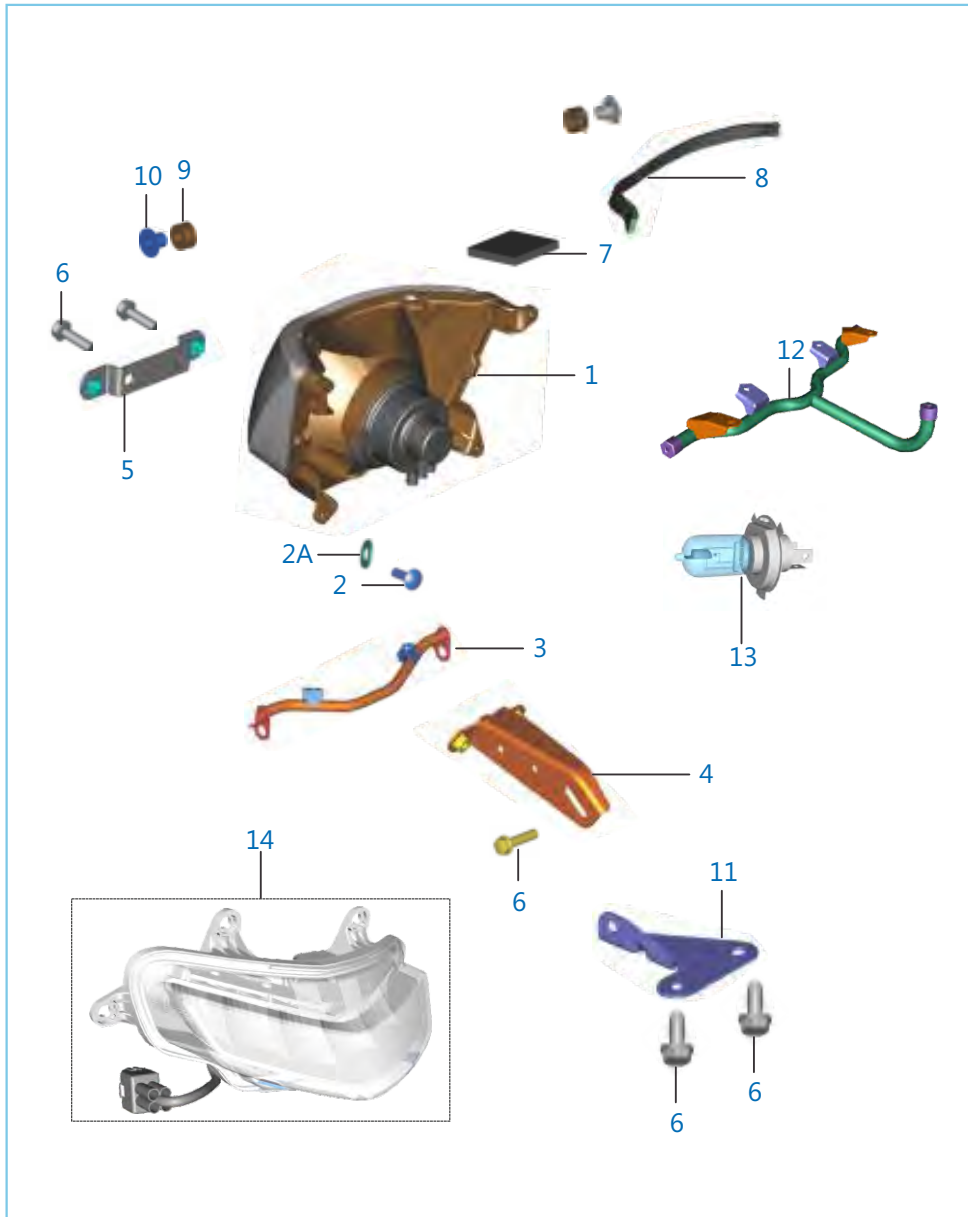
Control Cables

No.	Part No.	Description	Qty.	Remarks
1	JZ 1612 10	Cable Speedometer	1	N.I
2	JK 1612 05	Cable Throttle	1	
3	JK 1612 07	Cable Clutch	1	N.I



### Chain Case

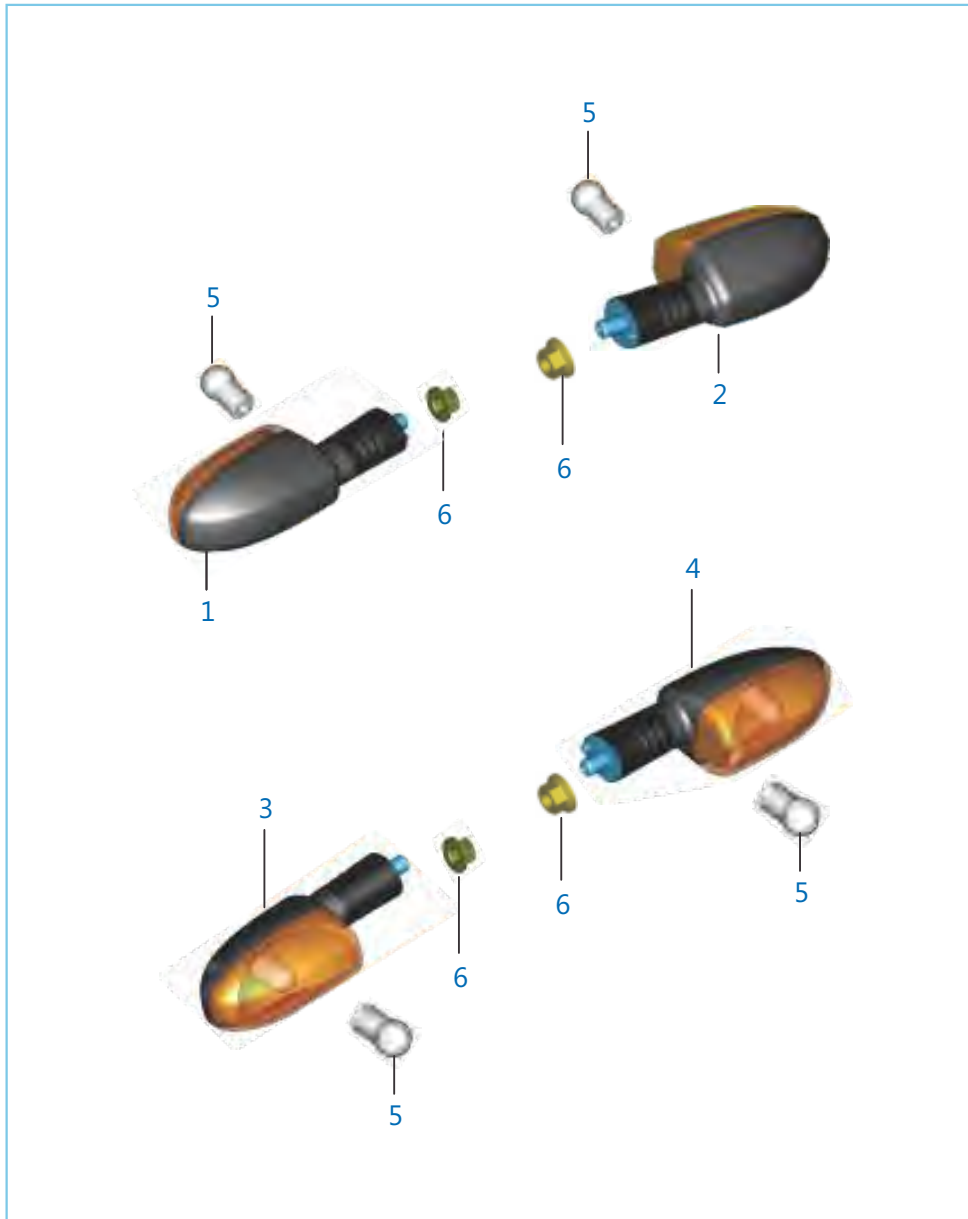
No.	Part No.	Description	Qty.	Remarks
1	36 PF00 43	Kit Chain Case	1	
2	DZ 1610 55	Label- Instruction	1	
3	PF 1812 19	Rubber Cap	1	
4	39 1508 11	Washer Plain Small	2	
5	KA DC06 10	Bolt Flanged	2	
6	LA D001 27	Bolt Flanged Stepped	2	
7	JG 1812 59	River Snap	1	



## Head Lamp & Fairing

No.	Part No.	Description	Qty.	Remarks
1	JK 4010 23	Lamp Assembly Head	1	
2	KB RA42 16	Screw Tapping Pan Cross	4	
2A	KD AA04 08	Washer Plain Small	4	
3	PF 1812 37	Bracket Blinker Mtg	1	
4	PF 1812 38	Bracket Fairing Lower Pivot	1	
5	DP 1810 21	Bracket - Number Plate	1	
6	KA Df06 16	Bolt Flanged	5	
7	PF 1812 46	Foam Tape	1	
8	PF 1812 48	Foam	1	
9	DP 1810 41	Damper For Mounting Cowling	2	
10	DP 1810 40	Collar - Cowling Mounting	2	
11	JK 1812 60	Bracket Fork	1	
12	JK 1812 46	Bracket Assembly Fairing Upper	1	
13	JK 4010 24	Bulb Lamp Head	1	
14	JK 4010 25	Lamp Assembly - DRL	1	

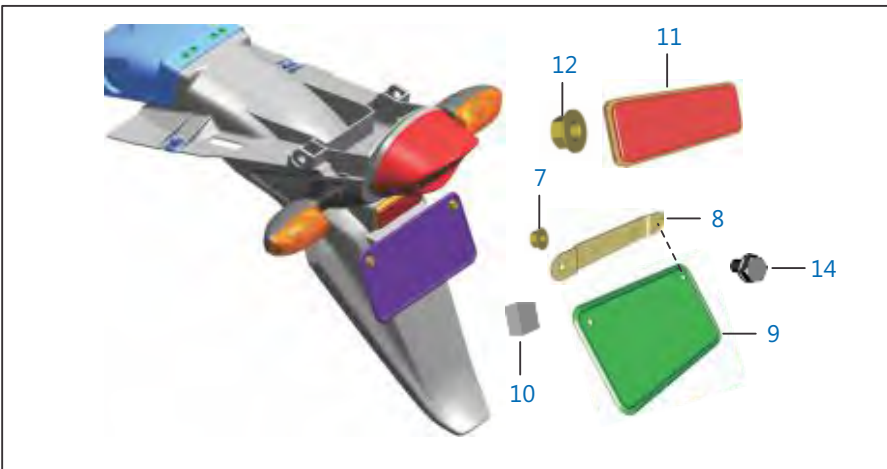
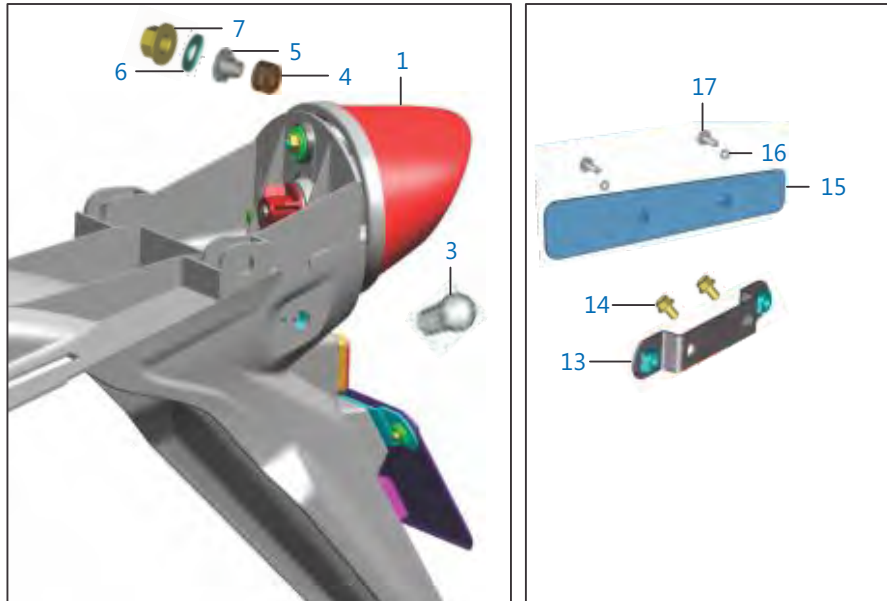
Indicator Light Assembly



No.	Part No.	Description	Qty.	Remarks
1	DJ 2012 07	Blinker FR LH With 2P Coupler	1	
2	DJ 2012 06	Blinker FR RH With 2P Coupler	1	
3	DJ 2012 06	Blinker RR LH With 2P Coupler	1	
4	DJ 2012 07	Blinker RR RH With 2P Coupler	1	
5	GH 2010 12	Lamp 12V - 10W (Colour :- Amber)	4	
6	KC GA10 10	Nut-hex-flanged	4	

Plate No.: 45

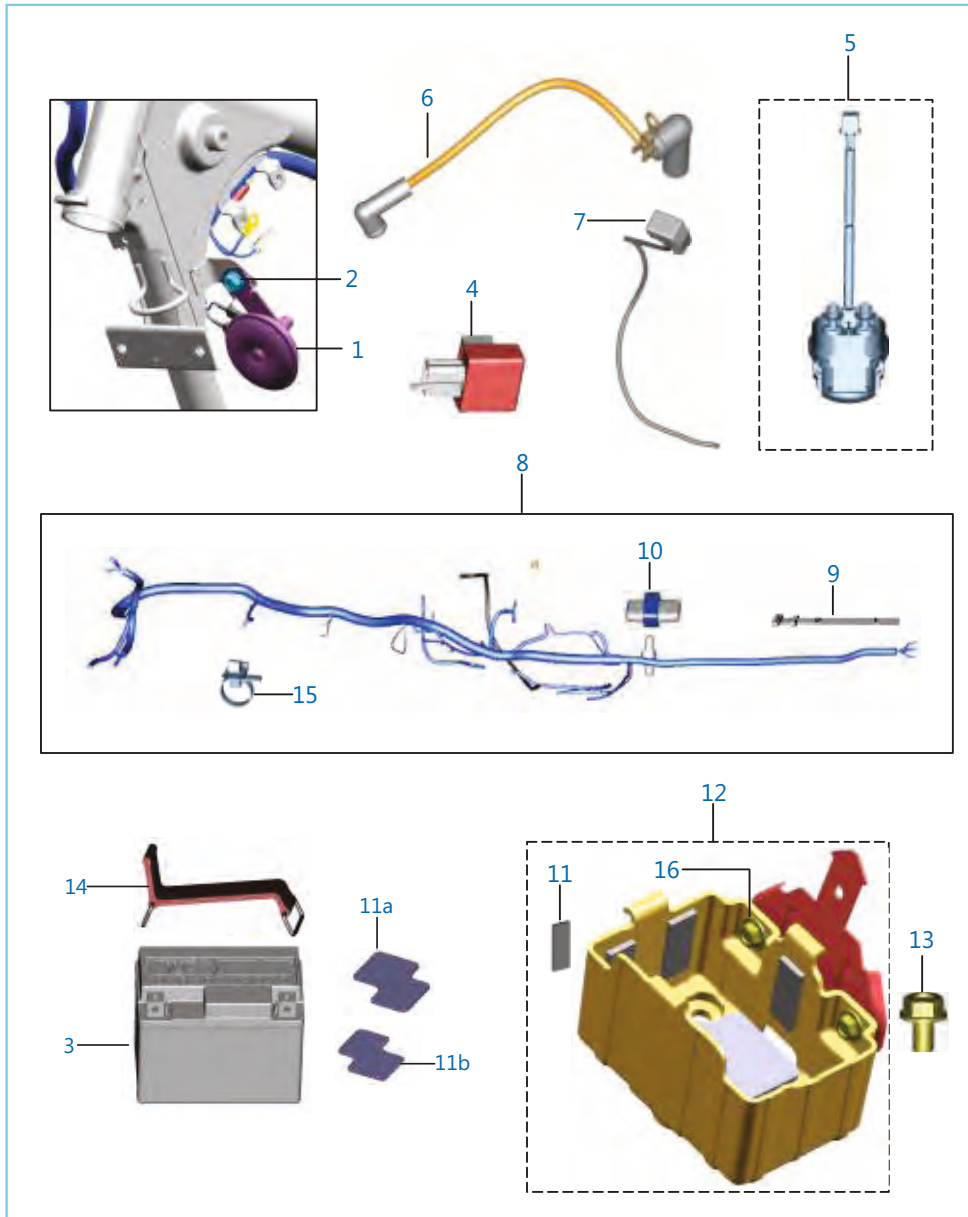
Tail Lamp Assly / Front Number Plate



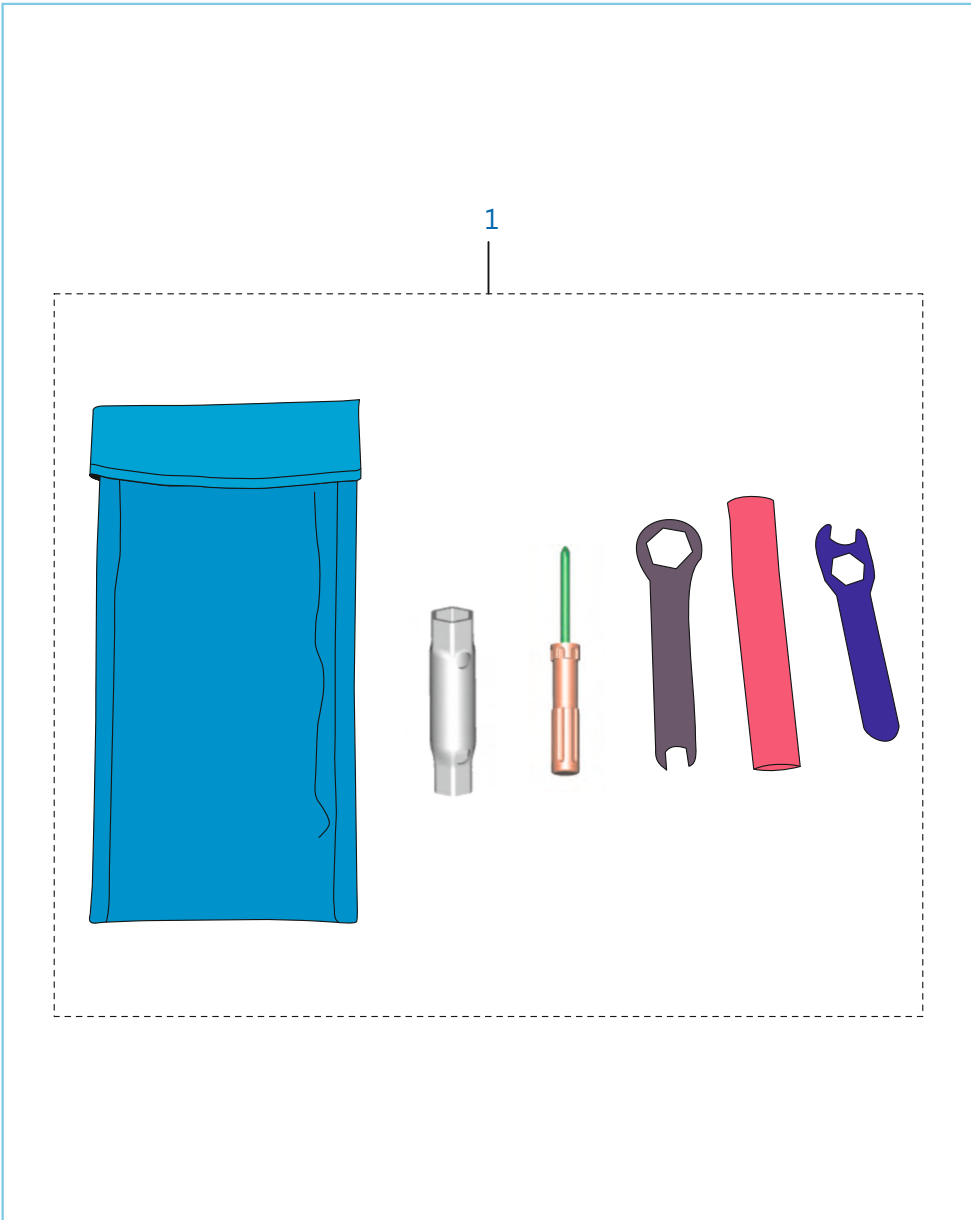
No.	Part No.	Description	Qty.	Remarks
1	DP 2010 30	Lamp (light) Assembly - Tail	1	
2	DP 2010 19	Lens - Tail Lamp	1	N.I.
3	20 2010 29	Lamp :- 12V - 21/5W	1	
4	DD 2010 11	Damper	3	
5	DZ 2010 15	Collar Assly	3	
6	DP 2010 44	Washer	3	
7	KC GD06 06	Nut Hex Flanged	1	
8	DJ 1610 72	Bracket - Rear Number Plate	1	
9	DF 1612 52	Plate - Number :- Rear In Black	1	
10	JW 2326 00	Foam Rear Number Plate	1	
11	JG 4010 36	Reflector Reflex	1	
12	39 2484 15	Nut Hex Flanged	1	
13	DP 1810 21	Bracket - Number Plate	1	
14	KA DA06 10	Bolt-flange	2	
15	DF 1612 51	Plate - Number :- Front In Black	1	
16	KD BA05 12	Washer Plain	2	
17	KB UA05 10	Screw Truss	2	
18	KA DA06 10	Bolt Flanged	2	

Plate No.: 46

Electrical Equipments

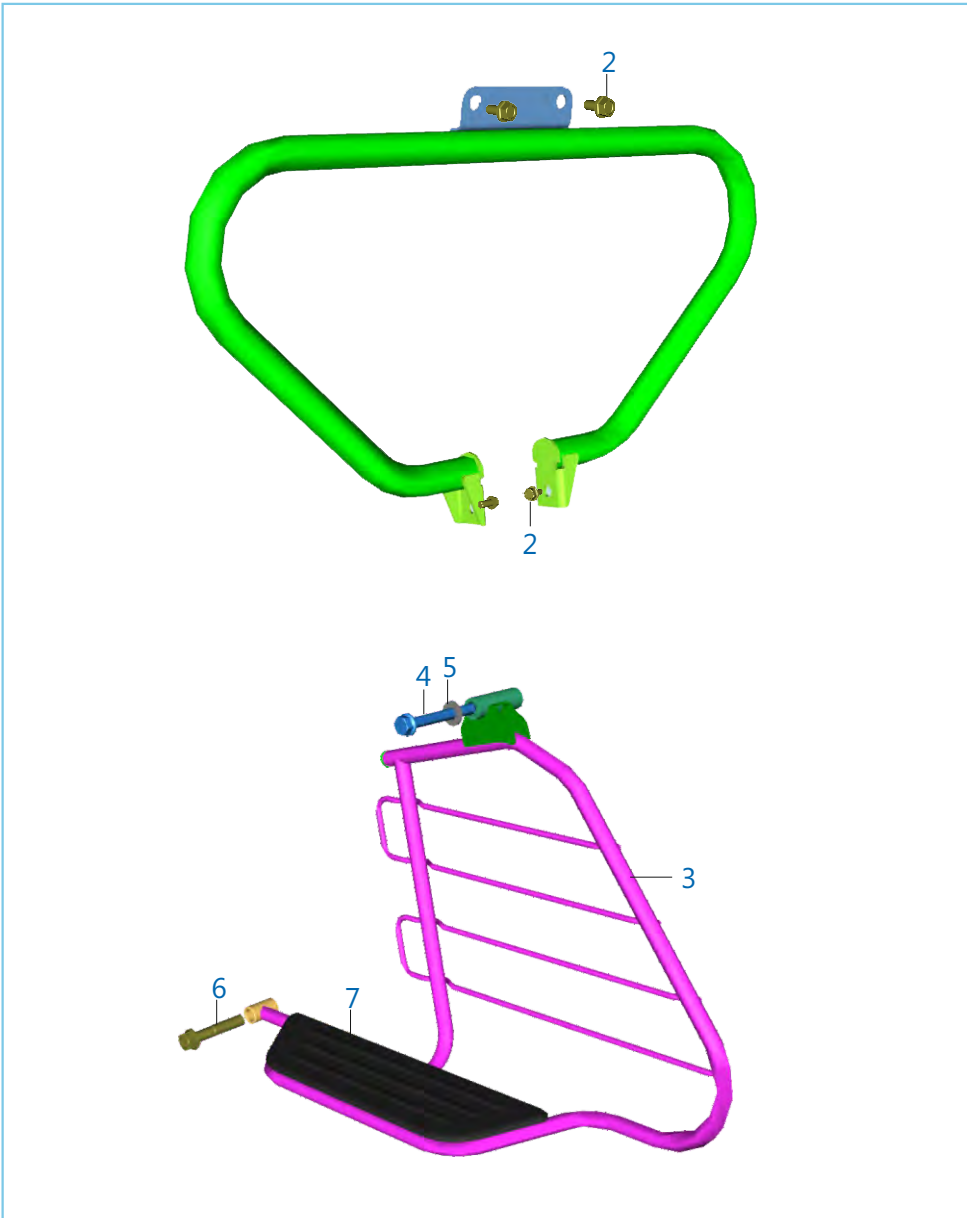


No.	Part No.	Description	Qty.	Remarks
1	JZ 4016 00	Horn	1	
2	KA DD08 14	Bolt Flanged	2	
3	PF 4018 05	3AH Vrla Dry Battery With Acid Bottle	1	
4	DS 2010 25	Assy D C Flasher (SS)	1	
5	JN 3516 04	Starter Relay-with Grommet	1	
6	PF 4022 24	Cable Assly St Relay-Motor	1	
7	PF 4022 23	Cable Assly Battery-Earth	1	
8	JK 4022 13	Harness Wiring	1	
9	JD 4022 17	Band (L 150)	2	
10	GF 2010 53	Fuse 10A	1	
11	JG 4018 08	Foam Battery 35x15x3	7	
11a	PF 4018 10	Foam Battery	1	
11b	PF 4018 11	Foam Battery	1	
12	PF 1812 21	Assly Case Battery	1	Includes Foam
13	KA DA06 10	Bolt Flanged	3	
14	PF 4018 12	Band Battery	1	
15	39 1062 04	Bolt Earthing Cable	1	N.I.
16	LA D001 27	Bolt	2	



Tool Kit

No.	Part No.	Description	Qty.	Remarks
1	PA 2310 02	Tool Kit	1	



Accessories - Leg Guard / Sari Guard

No.	Part No.	Description	Qty.	Remarks
1	PA 2312 06	Leg Guard	1	
2	KA DF08 16	Bolt Flange M8	4	
3	52 PF07 73	Assly Sari Guard Platina ES UG	1	
4	LA D000 48	Bolt Flange	1	
5	39 1540 11	Washer	1	
6	LA D001 31	Bolt Flanged	1	
7	PF 2312 05	Pad Sari Guard	1	



Plate No.: 49

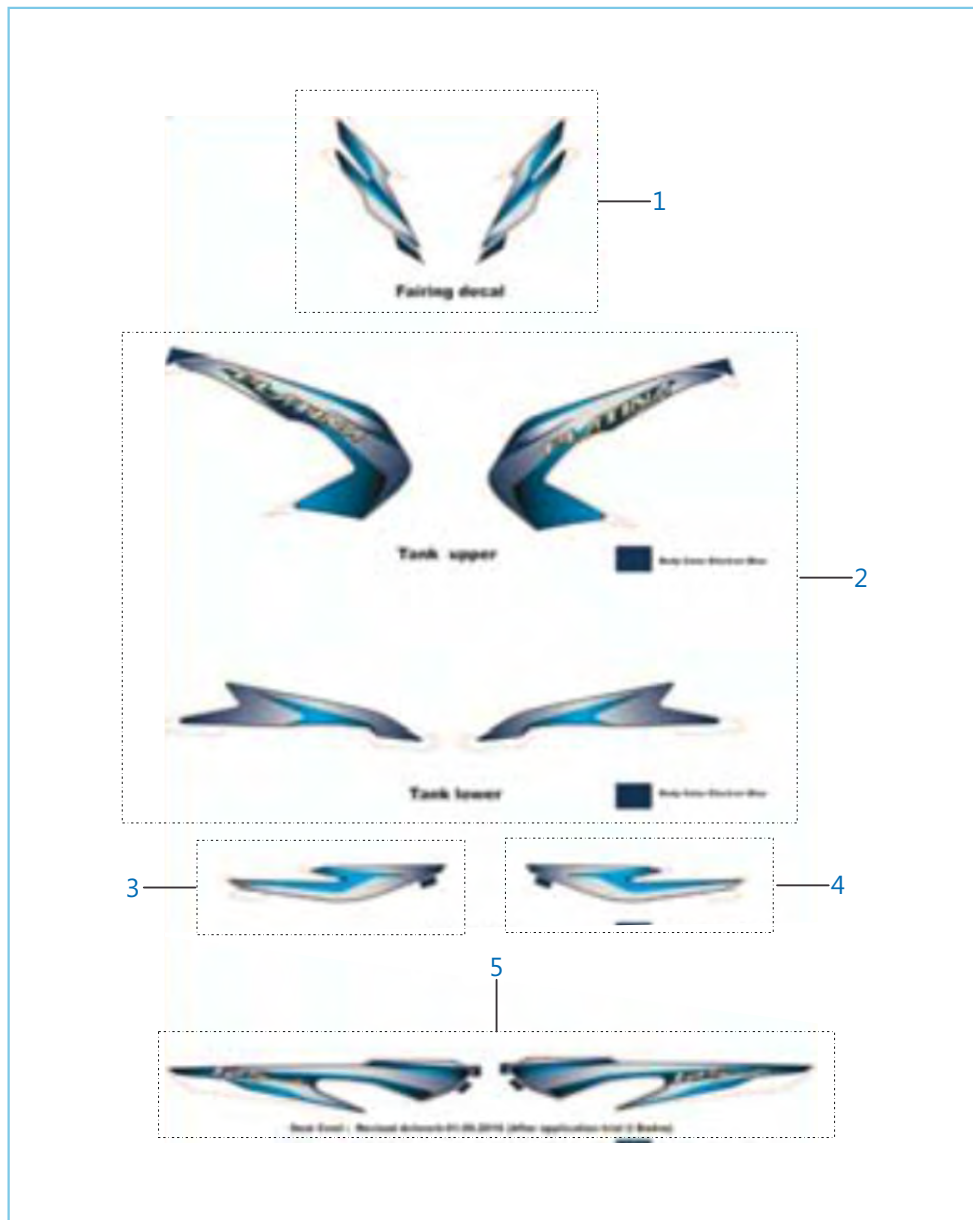
### Painted Parts

No.	Part No.	Description	Qty.	Remarks
1	52 PF12 13	Fuel Tank With Decal	1	EL Blue - Non EVAP
1	52 PF12 14	Fuel Tank With Decal	1	EB Black - Non EVAP
1	52 PF12 15	Fuel Tank With Decal	1	CW Red - Non EVAP
2	52 PF11 46	Side Cover LH	1	Electron Blue
2	52 PF11 52	Side Cover LH	1	Ebony Black
2	52 PF11 58	Side Cover LH	1	Wine Red
3	52 PF11 47	Side Cover RH	1	Electron Blue
3	52 PF11 53	Side Cover RH	1	Ebony Black
3	52 PF11 59	Side Cover RH	1	Wine Red
4	52 PF12 07	Seat Cowl With Decal	1	Electron Blue
4	52 PF12 09	Seat Cowl With Decal	1	Ebony Black
4	52 PF12 11	Seat Cowl With Decal	1	Wine Red
5	52 PF11 50	Cowling With Decal	1	Electron Blue
5	52 PF11 56	Cowling With Decal	1	Ebony Black
5	52 PF11 62	Cowling With Decal	1	Wine Red
6	56 PF05 3E	Front Fender	1	Electron Blue
6	56 PF05 3B	Front Fendor	1	Ebony Black
6	56 PF77 2V	Front Fender	1	Wine Red



Plate No.: 50

Decals



No.	Part No.	Description	Qty.	Remarks
1	36 PF01 19	Kit Fairing Decal Blue	1	EL Blue
1	36 PF01 20	Kit Fairing Decal Black	1	EB Black
1	36 PF01 21	Kit Fairing Decal Red	1	CW Red
2	36 PF01 22	Kit Tank Decal Blue	1	EL Blue
2	36 PF01 23	Kit Tank Decal Black	1	EB Black
2	36 PF01 24	Kit Tank Decal Red	1	CW Red
3	PF 2332 12	Decal Cover LH Eletron Blue	1	EL Blue
3	PF 2332 14	Decal Cover LH Ebony Black	1	EB Black
3	PF 2332 16	Decal Cover LH Cocktail W Red	1	CW Red
4	PF 2332 13	Decal Cover RH Eletron Blue	1	EL Blue
4	PF 2332 15	Decal Cover RH Ebony Black	1	EB Black
4	PF 2332 17	Decal Cover RH Cocktail W Red	1	CW Red
5	36 JK00 69	Kit Decal Seat Cowl EL Blue	1	EL Blue
5	36 JK00 68	Kit Decal Seat Cowl EB Black	1	EB Black
5	36 JK00 70	Kit Decal Seat Cowl CW Red	1	CW Red

# Kit List



Sr No	Kit Part No.	Kit Description	Consisting of Following Parts		
			Part No.	Description	Qty/Kit
1	36JH0028	Kit Valve Intake + Exhaust	DY511200	Valve Intake B105a	1
			DY511201	Valve Exhaust B105a	1
2	36JH0029	Kit Valve Repair	28101129	Spring - Seat	2
			CB101009	Seal - Valve Stem	2
			JZ511202	Spring Valve	2
			DY511202	Retainer Valve B105a	2
			CB101022	Cotter Valve	4
3	36PA0115	Kit Guide Cam Chain	JE541030	Guide Cam Chain	1
			JE521019	Guide Cam Chain	1
4	36JZ0183	Kit Piston Block	PF521029	Block Cylinder	1
			JH521207	Assembly Piston C101b	1
5	36JH0032	Kit Piston Rings	PA521225	Ring Piston Top	1
			PA521226	Ring Piston Second	1
			PA521227	Ring Piston Oil	1
6	36PA0211	Kit Assly Crankcase RH	PF541018	Bushing Drum Bm150 4 Spd	1
			KPBF6201	Bearing Ball C3 Clearances	1
			JE541065	Crankcase RH	1
			59200036	Bearing - Ball 6203 Hn3 C3	1
			BA102004	Plug	1
7	36PF0128	Kit Assly Crankcase LH	39171519	Seal - Oil	1
			39256220	Bearing - Needle Roller	1
			PF541067	Crankcase LH	1
			59200036	Bearing - Ball C3	1
			JA541005	Bush Bendix	1
			39219019	Seal - Oil	1
			JZ541005	Nozzle Oil Jet	1
8	36JH0009	Boss Kick Set	PA621202	Boss Kick Lever D105a Ug	1
			30101234	Spring	1
			30101236	Ball - Steel	1

# Kit List



Sr No	Kit Part No.	Kit Description	Consisting of Following Parts		
			Part No.	Description	Qty/Kit
			22150241	Washer - Plain	1
			30101235	Pin	1
			39085517	Circlip :- E-type	1
9	36JZ0184	Primary Drive Gear	PF551431	Housing Assembly Clutch	1
			JZ531006	Gear Primary Drive	1
10	36JZ0185	Friction Plate Kit	PF551434	Plate Friction	4
11	36314005	Kit Steering Cone	36314001	Kit Steering Cone	1
			36001052	Grease Lethon Rr3 -10gm	1
			36314002	Kit Ball Steel Steering	1
12	36JK0067	Kit Chain Sprocket	PA141014	Chain 120 Link 428 Series	1
			PA131210	Sprocket Hub (42t)	1
			JZ551004	Sprocket Output	1
13	36DK0017	Kit Hardware Br Rod	30191038	Pin	1
			39021911	Washer - Plain	1
			39080808	Pin - Split	1
			30191035	Spring	1
			15191026	Pin	1
			30191036	Nut - Brake Adjuster	1
14	36PF0043	Kit Chain Case	PF181217	Case Chain Upper	1
			PF181218	Chain Case Lower	1
			PF181219	Rubber Cap	1
15	36JK0070	Kit Decal Seat Cowl CW Red	JK233038	Decal Cowl Seat LH Cw Red	1
			JK233039	Decal Cowl Seat RH Cw Red	1
16	36JK0069	Kit Decal Seat Cowl EL Blue	JK233034	Decal Cowl Seat LH Eletron Blue	1
			JK233035	Decal Cowl Seat RH Eletron Blue	1
17	36JK0068	Kit Decal Seat Cowl EB Black	JK233036	Decal Cowl Seat LH Ebony Black	1
			JK233037	Decal Cowl Seat RH Ebony Black	1

# Kit List



Sr No	Kit Part No.	Kit Description	Consisting of Following Parts		
			Part No.	Description	Qty/Kit
18	36PF0119	Kit Fairing Decal Blue	PF233194	Decal Fairing LH Eletron Blue	1
			PF233195	Decal Fairing RH Eletron Blue	1
19	36PF0122	Kit Tank Decal Blue	PF233200	Decal Tank Up LH Electron Blue	1
			PF233201	Decal Tank Up RH Electron Blue	1
			PF233206	Decal Tank Lr LH Eletron Blue	1
			PF233207	Decal Tank Lr RH Eletron Blue	1
20	36PF0120	Kit Fairing Decal Black	PF233196	Decal Fairing LH Ebony Black	1
			PF233197	Decal Fairing RH Ebony Black	1
21	36PF0123	Kit Tank Decal Black	PF233202	Decal Tank Upper LH Ebony Black	1
			PF233203	Decal Tank Upper RH Ebony Black	1
			PF233208	Decal Tank Lr LH Ebony Black	1
			PF233209	Decal Tank Lr RH Ebony Black	1
22	36PF0121	Kit Fairing Decal Red	PF233198	Decal Fairing LH Cocktail W Red	1
			PF233199	Decal Fairing RH Cocktail W Red	1
23	36PF0124	Kit Tank Decal Red	PF233204	Decal Tank Up LH Cocktail W Red	1
			PF233205	Decal Tank Up RH Cocktail W Red	1
			PF233210	Decal Tank Lr LH Cocktail W Red	1
			PF233211	Decal Tank Lr RH Cocktail W Red	1

# Kit List



Sr No	Kit Part No.	Kit Description	Consisting of Following Parts		
			Part No.	Description	Qty/Kit

# Amendment Sheet



Page No.	Fig. NO.	Old part No.	New part No.	Description	Updation date	Remarks
88	14	-----	JK401025	Lamp Assembly-DRL	26.03.19	Added
64	2	JK131812	36JK0102	Kit Brake Hose	28.05.19	Updation
72	1	JK151016	PF151015	Handle Bar	28.05.19	Updation

# Amendment Sheet



Page No.	Fig. NO.	Old Part No.	New Part no.	Description	Updation date	Remarks

# Parts Index



Part Number	Figure No.	Page No.	Part Number	Figure No.	Page No.
20201029	3	92	39078111	12	52
24121069	10	36	39078111	17	62
24121365	9	36	39078408	16	54
30101142	16	30	39078912	13	52
30151005	17	68	39078912	17	70
30151033	13	62	39078912	14	76
30151038	16	68	39079415	12	68
30151069	14	68	39079815	20	68
30151096	20	70	39080708	22	70
30161157	3	58	39080808	11	70
30181009	18	76	39084914	8	42
30181020	23	76	39090012	6	62
30181026	5	76	39097204	7	42
30181029	10	76	39098717	3	16
30211005	12	78	39098815	21	68
31101173	10	14	39099206	7	18
31151018	5	68	39099311	10	28
31151029	10a	68	39099906	6	22
31151037	18	68	39099906	4	26
31181099	24	76	39099906	4	32
31201079	12	70	39100006	5	12
31201081	7	24	39100120	13	34
33141008	16	78	39101321	7	62
39019811	10	70	39104119	5	30
39042215	2	48	39106204	15	94
39042215	9	58	39107404	19	68
39045411	6	52	39107404	18	72
39055302	5	52	39118101	15	76
39059417	2	10	39121111	4	80
39069415	19	70	39122515	6	48
39071411	22	68	39128321	4	6
39073817	7	28	39133615	14	52
39074011	7	78	39150811	4	86
39074301	3	46	39154011	18	70

# Parts Index



Part Number	Figure No.	Page No.	Part Number	Figure No.	Page No.
39154011	5	98	36DJ4032	9	66
39155304	10	34	36DJ4033	10	66
39155304	8	72	36DK0017	21	70
39167121	11	30	36DZ2008	2	50
39171519	5	24	36JD0108	14	14
39178924	7	80	36JH0009	3	28
39190204	9	20	36JH0028	1	8
39190204	17	72	36JH0029	2	8
39198820	1a	10	36JH0032	2	12
39217924	3	78	36JK0067	2	68
39219019	9	24	36JK0068	5	102
39224915	26	74	36JK0069	5	102
39229515	2	40	36JK0070	5	102
39236615	10	52	36JK0085	6	36
39240817	12	28	36JK0086	4	36
39244311	4	30	36JK0087	3	36
39248415	10	78	36JK0088	11	36
39248415	12	92	36JK0102	2	64
39256220	3	24	36JZ0016	5	36
39260801	3	6	36JZ0183	1	12
39266921	14	10	36JZ0184	3	34
59040006	12	76	36JZ0185	6	34
59040038	3	2	36JZ0191	7	36
59040038	15	24	36JZ0192	13	36
59040038	7	30	36JZ0196	2	36
59040038	2	32	36JZ0199	5	34
59040038	8	32	36PA0115	9	10
59150003	18	62	36PA0211	2	22
59150003	23	68	36PD0043	4	66
59150014	7	14	36PF0043	1	86
59200036	3	22	36PF0119	1	102
59200036	4	24	36PF0120	1	102
59210023	12	24	36PF0121	1	102
59210024	19	16	36PF0122	2	102

# Parts Index



Part Number	Figure No.	Page No.
36PF0123	2	102
36PF0124	2	102
36PF0128	1	24
52JA0028	14	34
52JA0029	9	22
52JV0143	1	32
52JZ0264	1	20
52PF0773	3	98
52PF1133	1	30
52PF1140	9	6
52PF1146	2	100
52PF1147	3	100
52PF1150	5	100
52PF1152	2	100
52PF1153	3	100
52PF1156	5	100
52PF1158	2	100
52PF1159	3	100
52PF1162	5	100
52PF1207	4	100
52PF1209	4	100
52PF1211	4	100
52PF1213	1	100
52PF1214	1	100
52PF1215	1	100
56PF053B	6	100
56PF053E	6	100
56PF772V	6	100
AP101255	4	78
BA102004	13	22
BF561219	4	20
CB101009	6	8
Cb101022	3	8
CF111019	10	44

Part Number	Figure No.	Page No.
CS101128	11	10
DD101062	3	10
DD101062	13	10
DD101097	13	28
DD111011	5	44
DD111012	3	44
DD111018	10	44
DD111048	4	44
DD121181	10	30
DD141227	8	78
DD161078	3	70
DD181032	6	76
DD201011	4	92
DE151006	12	62
DE151008	9	62
DE151012	10	62
DE151043	8	66
DE151045	2	66
DE151046	5	66
DE151047	6	66
DE151048	3	66
DE191028	14	64
DE191029	13	64
DE191030	10	64
DE191033	6	64
DE191036	15	64
DE191043	1	64
DF141128	5	78
DF161102	8	58
DF161251	15	92
DF161252	9	92
DF181091	21	72
DF181092	24	74
DG121003	9	4

# Parts Index



Part Number	Figure No.	Page No.
DG141019	11	78
DG161118	14	78
DG161121	2	80
DG161124	2	58
DG161224	4	54
DG171025	11	52
DH101048	6	10
DH101380	5	22
DH101380	12	42
DH101380	16	42
DH101392	10	10
DH101509	15	20
DH101639	8	22
DH101784	6	24
DH111013	8	44
DH111015	6	44
DH121038	13	38
DH151029	16	70
DH161066	7	58
DJ161012	9	32
DJ161069	2	56
DJ161072	8	92
DJ191025	4	64
DJ191026	5	64
DJ191028	7	64
DJ191029	8	64
DJ191030	9	64
DJ191056	11	64
DJ191056	14	72
DJ191057	3	64
DJ191057	15	72
DJ201109	12	64
DJ201109	12	72
DJ201173	10	56

Part Number	Figure No.	Page No.
DJ201206	2	90
DJ201206	3	90
DJ201207	1	90
DJ201207	4	90
DK101386	7	10
DK101595	6	42
DK101605	9	42
DK101610	8	40
DK101751	5	8
DK201049	5	50
DK211007	4	46
DP121025	11	38
DP141020	1	78
DP161094	14	38
DP171006	2	52
DP181021	5	88
DP181021	13	92
DP181040	10	88
DP181041	9	88
DP201019	2	92
DP201030	1	92
DP201044	6	92
DS101117	8	28
DS101154	3	14
DS101215	14	30
DS101355	22	16
DS121126	12	38
DS141009	2	78
DS151038	8	62
DS161125	1	56
DS161224	9	56
DS181012	11	76
DS181015	16	76
DS181016	17	76

# Parts Index



Part Number	Figure No.	Page No.	Part Number	Figure No.	Page No.
DS201025	4	94	JA541010	4	22
DT181265	5	80	JA541012	7	22
DU101213	21	16	JA541016	3	26
DU151034	3	60	JA541019	13	24
DU161102	3	80	JA541021	11	24
DU161119	6	80	JA541211	12	30
DU161196	6	50	JA541212	18	30
DU181108	6a	76	JA541225	13	30
DX151010	10	68	JA551002	4	16
DZ141040	6	78	JA551004	8	16
DZ151037	14	62	JA551008	17	16
DZ161055	2	86	JA551009	18	16
DZ171009	3	52	JA551406	2	34
DZ201015	5	92	JA551420	11	34
DZ201019	9	78	JA581221	8	36
FD101078	2	26	JA581232	15	36
FD181019	22	74	JA581314	12	36
FD181019	25	74	JA581406	11	6
FD181030	19	72	JA621002	9	28
FD181031	20	72	JA621206	2	28
GF201053	10	94	JB131223	15	68
GH201012	5	90	JB131804	13	68
GL181099	15	54	JB161002	9	70
JA113202	6	58	JB181223	8	50
JA113403	5	48	JB351029	11	42
JA121003	15	52	JB401400	3	72
JA131205	9	68	JB402202	6	12
JA131606	4	62	JB531021	8	14
JA511008	2	2	JB541224	6	32
JA511216	4	10	JB591059	7	40
JA531012	6	14	JB591068	6	40
JA531015	5	14	JD113814	13	4
JA541005	10	24	JD113815	12	4
JA541005	5	32	JD161002	6	70

# Parts Index



Part Number	Figure No.	Page No.	Part Number	Figure No.	Page No.
JD161006	7	70	JE591002	3	40
JD351206	7	44	JE621003	6	28
JD402217	27	74	JE621004	5	28
JD402217	9	94	JE621403	5	42
JD511010	4	2	JF511052	2	6
JD531003	13	14	JG181259	7	86
JD531004	12	14	JG401036	11	92
JD561004	3	18	JG401808	11	94
JD561006	2	18	JH131835	1	66
JD561011	6	18	JH351602	1	42
JD561204	8	20	JH511210	4	8
JD561416	12	20	JH521007	3	12
JE351403	4	12	JH531007	1	14
JE511049	1b	10	JH541015	8	24
JE511067	5	4	JH541021	15	42
JE511230	8	10	JH561404	16	20
JE521016	12	10	JH561409	13	20
JE531001	9	14	JH582200	1	4
JE541028	14	22	JH621407	3	42
JE541038	11	14	JK111075	1	50
JE541214	3	30	JK113014	5	54
JE541288	2	30	JK113015	6	54
JE541291	6	30	JK113016	1	54
JE551200	7	16	JK113017	2	54
JE551201	5	16	JK113406	7	48
JE551205	11	16	JK121007	19	76
JE551206	13	16	JK121009	20	76
JE551215	16	16	JK121026	1	76
JE551216	14	16	JK121028	21	76
JE551409	12	34	JK121029	2	76
JE561005	5	18	JK121030	22	76
JE561006	1	18	JK121031	3	76
JE561200	3	20	JK122002	7	52
JE581416	10	6	JK122004	8	52



# Parts Index



Part Number	Figure No.	Page No.	Part Number	Figure No.	Page No.
JK122013	1	52	JZ111292	7	50
JK131015	1	62	JZ113209	4	58
JK131016	3	62	JZ121013	25	76
JK131018	5	62	JZ161019	2	70
JK131030	1	60	JZ161028	6	72
JK131031	2	62	JZ161210	1	84
JK131039	2	60	JZ171829	15	78
JK131216	4	60	JZ231600	28	74
JK131218	26	68	JZ231601	29	74
JK131219	24	68	JZ401403	9	72
JK161205	2	84	JZ401600	1	94
JK161207	3	84	JZ511021	1	2
JK181246	12	88	JZ531006	2	14
JK181260	11	88	JZ541005	2	24
JK191005	5	46	JZ551004	20	16
JK232603	16	72	JZ551008	9	16
JK401023	1	88	JZ551010	1	16
JK401023	13	88	JZ551202	2	16
JK401025	14	88	JZ551205	15	16
JK402213	8	94	JZ551210	10	16
JK402411	1	82	JZ551211	12	16
JK561207	14	20	JZ551213	6	16
JK561208	10	20	JZ561002	4	18
JL181219	8	80	JZ571000	1	26
JL541227	15	30	JZ571001	5	26
JL581066	2	4	JZ581220	14	36
JN351604	5	94	KACF0830	4	76
JW131806	15	62	KADA0610	14	92
JW131807	7	66	KADA0610	18	92
JW232600	10	92	KADA0610	13	94
JW561206	2	20	KADc0610	5	86
JW591028	5	40	KADD0814	2	94
JY581028	8	4	KADD0820	8	54
JY581028	21	38	KADD0880	3	48

# Parts Index



Part Number	Figure No.	Page No.	Part Number	Figure No.	Page No.
KADD0885	4	48	KPBB6301	11	62
KADF0610	8	56	KPBB6301	4	68
KADF0612	1	80	KPBC6004	8	68
KADF0614	15	38	KPBF6201	12	22
KADF0614	7	56	LAC00002	16	62
KADF0616	9	44	LAC00052	14	42
KADF0616	6	88	LAD00048	8	48
KADF0625	4	56	LAD00048	4	98
KADF0625	13	78	LAD00127	6	86
KADF0630	11	4	LAD00127	16	94
KADF0816	2	98	LAD00131	6	98
KAED0614	13	44	LAE00005	8	30
KAED0625	2	42	LAJ00002	6	6
KAEF0650	10	22	LBU00012	10	72
KAEG0614	6	4	LDA00025	4	14
KBBC0608	13	42	LDB00044	5	20
KBRA4216	2	88	LDB00044	7	20
KBRA4819	19	38	LJA00004	14	24
KBUA0510	17	92	PA131208	7	68
KBUA0616	2	82	PA131263	6	68
KCGA0606	14	4	PA141011	1	68
KCGA0606	4	82	PA161004	13	70
KCGa0808	9	48	PA161006	1	70
KCGA1010	3	90	PA161207	6	46
KCGD0606	7	92	PA161211	2	46
KDAA0408	2A	88	PA231002	1	96
KDAA1222	4	52	PA231206	1	98
KDBA0512	16	92	PA511039	5	2
KDBA0613	3	82	PA511098	7	6
KDCB0816	7	54	PA561209	6	20
KHAA2015	11	20	PA581053	5	38
KHAA3235	5	58	PA621007	4	28
KJAC1824	5	6	PA621008	11	28
KPBB6201	3	68	PA621203	1	28

# Parts Index



Part Number	Figure No.	Page No.	Part Number	Figure No.	Page No.
PD511229	5	10	PF181238	4	88
PF111092	3	50	PF181246	7	88
PF111096	4	50	PF181248	8	88
PF113028	3	54	PF181422	6	56
PF113032	10	54	PF181423	3	56
PF113033	18	54	PF181429	5	56
PF113036	12	54	PF191011	1	46
PF113037	9	54	PF231205	7	98
PF113038	17	54	PF233212	3	102
PF113044	11	54	PF233213	4	102
PF113045	19	54	PF233214	3	102
PF113046	13	54	PF233215	4	102
PF113047	14	54	PF233216	3	102
PF113206	1	58	PF233217	4	102
PF113404	1	48	PF351042	10	42
PF121074	9	76	PF351217	1	44
PF121076	13	76	PF351219	2	44
PF121079	23	74	PF351231	11	44
PF121082	7	76	PF401417	13	72
PF121101	8	76	PF401805	3	94
PF122019	15	70	PF401810	11a	94
PF122025	9	52	PF401811	11b	94
PF131235	11	68	PF401812	14	94
PF131236	25	68	PF402001	12	44
PF151015	1	72	PF402223	7	94
PF161005	2	72	PF402224	6	94
PF161006	8	70	PF501074	1	22
PF161007	11	72	PF511135	1	6
PF161009	4	72	PF511222	1	10
PF161010	7	72	PF541018	11	22
PF161015	5	72	PF541249	3	32
PF181219	3	86	PF541250	19	30
PF181221	12	94	PF541254	9	30
PF181237	3	88	PF541268	7	32

# Parts Index



Part Number	Figure No.	Page No.	Part Number	Figure No.	Page No.
PF551407	17	30			
PF551433	7	34			
PF551436	4	34			
PF551437	9	34			
PF551438	8	34			
PF551439	1	34			
PF581044	3	38			
PF581045	2	38			
PF581046	4	38			
PF581048	9	38			
PF581049	8	38			
PF581051	7	38			
PF581062	1	38			
PF581063	6	38			
PF581065	10	38			
PF581228	1	36			
PF581423	8	6			
PF582400	7	4			
PF582400	20	38			
PF582403	10	4			
PF582408	3	4			
PF582409	4	4			
PF582600	17	38			
PF582601	16	38			
PF582602	18	38			
PF591146	4	40			
PF591264	1	40			
PF621413	4	42			